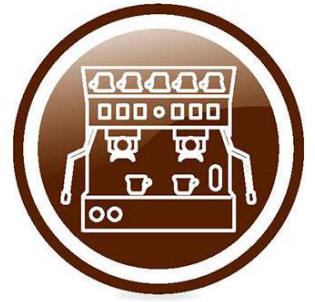




Spare parts for:

Espresso coffee machines



Suitable for:

SAN MARCO



This catalogue is automatically generated.
Therefore, the sequence of the items might
not be always shown at best.
Updates will be issued in case of additions
and/or amendments.

Suitable universal spare parts may not be included

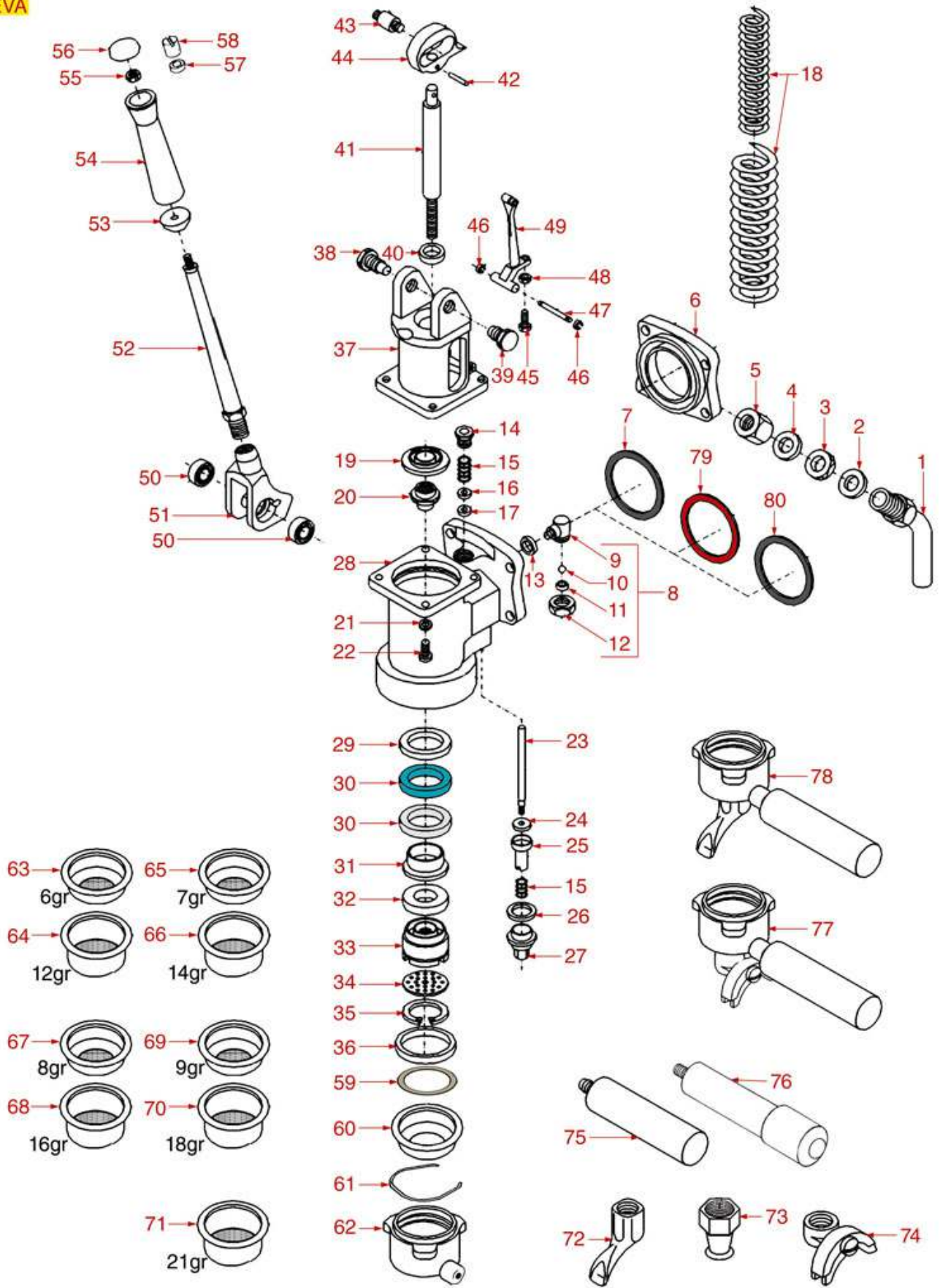






LEVER BREW GROUP

LEVA





SAN MARCO

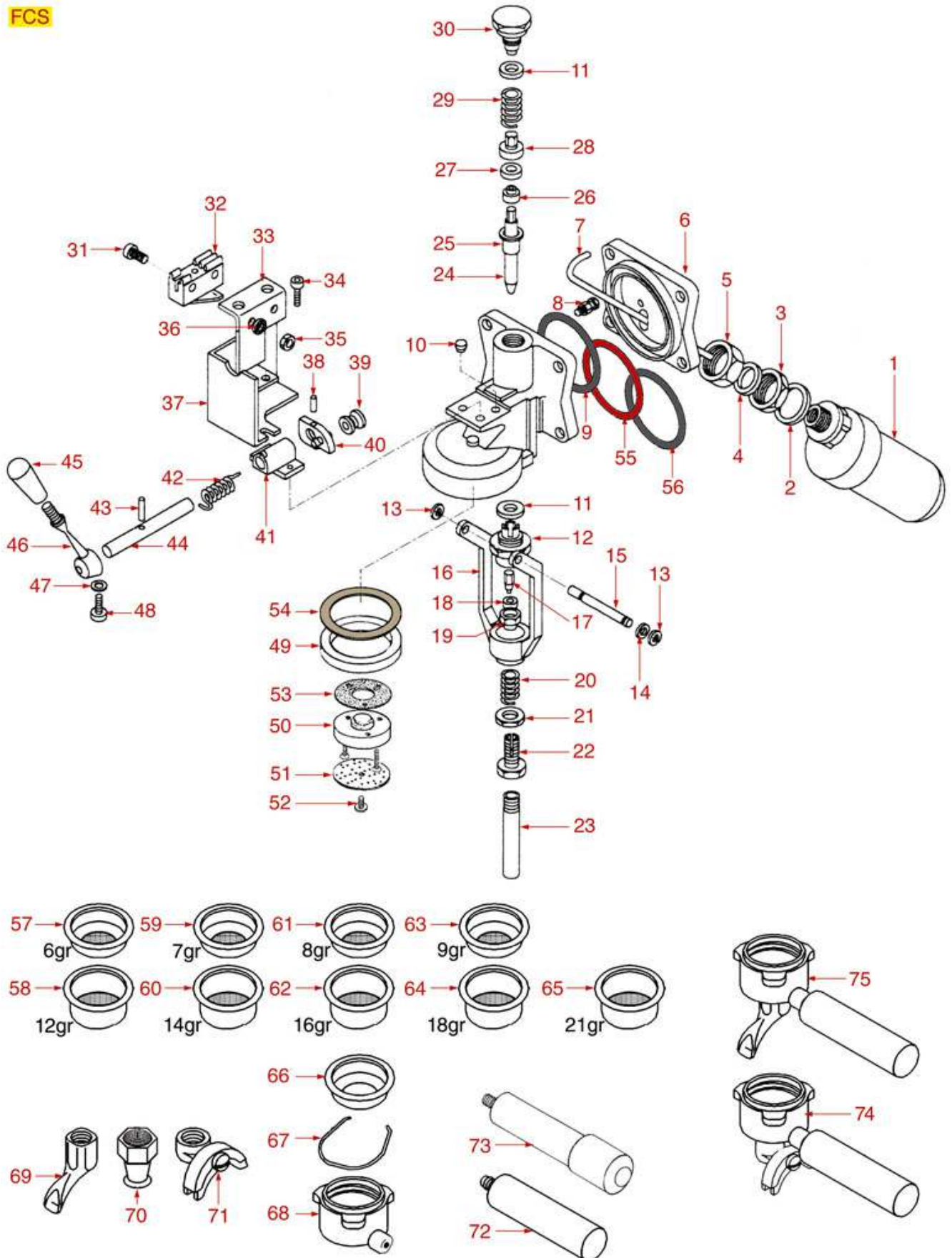


Position	LF code no.	Description
2	1186141	ASBESTOS FREE FLAT GASKET \varnothing 34x26.5x2 mm
2	1186361	PTFE FLAT GASKET \varnothing 34x27x2 mm
4	1186140	ROUND COPPER GASKET \varnothing 24x18.4x2 mm
5	1349484	FITTING \varnothing 3/4"
7	1186284	GROUP GASKET \varnothing 87x75x5.8 mm
8	1523424	NON-RETURN VALVE \varnothing 1/8"M
10	1323416	STAINLESS STEEL BALL \varnothing 10 mm
13	1186112	ASBESTOS FREE FLAT GASKET \varnothing 15x10x1 mm
14	1523420	SPRING GUIDE BUSHING
15	1250542	SPRING \varnothing 15x20 mm
16	1186992	BRASS WASHER \varnothing 15x7x0.8 mm
17	1186103	CONICAL PTFE SEAL \varnothing 15.5x7x4 mm
18	1250113	LEVER GROUP SPRING PAIR
23	1324014	STAINLESS STEEL PIN
24	1186316	EPDM FLAT GASKET \varnothing 15x4x4 mm 60 SH
25	1186120	GASKET HOLDER BUSHING
26	1186136	ASBESTOS FREE FLAT GASKET \varnothing 29x22x2 mm
29	1186132	COMPRESSION BUSHING
30	1186125	ASBESTOS FREE FLAT GASKET \varnothing 50x38x4 mm
30	1186994	PTFE FLAT GASKET \varnothing 50x40x5.5 mm
32	1186123	LIP SEAL \varnothing 50x31x10 mm
34	1081053	SHOWER \varnothing 50.5 mm
35	1250116	STAINLESS STEEL CIRCLIP J-48 UNI 7437
36	1186786	FILTER HOLDER GASKET \varnothing 64x52.5x5.5 mm
36	1186851	FILTER HOLDER GASKET \varnothing 64x52.5x5.5 mm
40	1186135	FLAT FELT GASKET
42	1348049	ELASTIC CLASP \varnothing 4x20 mm
42	3526129	CLASP \varnothing \varnothing 3x14 mm
43	1324017	PIN FOR BEARING
44	1192011	CHROMIUM-PLATED FORK FOR LEVER GROUP
46	1348817	STAINLESS STEEL CIRCLIP RA-4 UNI 7437
49	1225013	INFUSION CONTROL LEVER
50	1199062	BEARING 6001 ZZ NSK
51	1192012	CHROMIUM-PLATED FORK FOR LEVER GROUP
54	1241103	LEVER GROUP HANDLE
59	1190007	RUBBER PIECE \varnothing 64x53x1 mm EPDM
59	1190101	PAPER SEAL \varnothing 64x53x0.7 mm
60	1160287	BLIND FILTER
61	1250101	FILTER BLOCKING SPRING \varnothing 1,00 mm INOX
62	1165051	FILTER HOLDER SAN MARCO
63	1160033	1 CUP FILTER 6 gr
64	1160133	2 CUPS FILTER 12 gr
65	1160273	FILTER 1-CUP 7 GRAMS
66	1160270	FILTER 2 CUPS 14 gr NEW TYPE
67	1160271	1-CUP FILTER 8 gr
68	1160274	2 CUP FILTER 16 g
69	1160044	1 CUP FILTER 9 gr
70	1160045	2 CUPS FILTER 18 gr
71	1160046	2 CUPS FILTER 21 gr
72	1022501	SINGLE SPOUT \varnothing 3/8"
73	1022503	STRAIGHT SINGLE SPOUT \varnothing 3/8"
74	1022502	DOUBLE SPOUT \varnothing 3/8"
75	1241105	BLACK KNOB FOR FILTER HOLDER M10
76	1241502	FILTER HOLDER HANDLE M10
77	1165021	2 CUPS FILTER HOLDER ASSEMBLY SAN MARCO
78	1165080	1 CUP FILTER HOLDER ASSEMBLY SAN MARCO
79	1786009	O-RING GASKET 0178 RED SILICONE
80	3186015	O-RING GASKET OR 0178 EPDM



MANUAL BREW GROUP FCS

FCS



SM0202



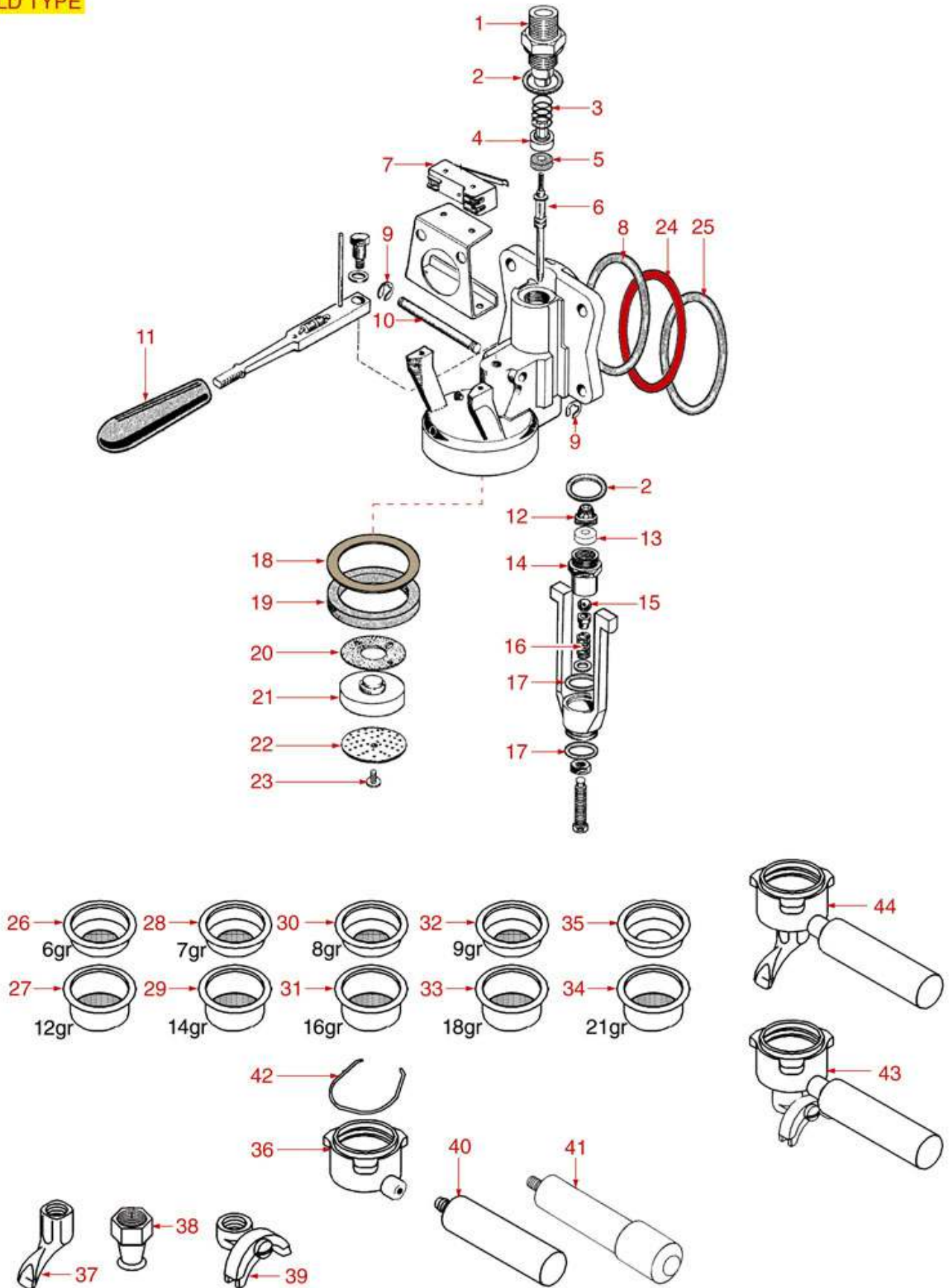
SAN MARCO



Position	LF code no.	Description
1	1169011	CARTRIDGE 2 GROUPS
2	1186141	ASBESTOS FREE FLAT GASKET \varnothing 34x26.5x2 mm
2	1186361	PTFE FLAT GASKET \varnothing 34x27x2 mm
4	1186140	ROUND COPPER GASKET \varnothing 24x18.4x2 mm
5	1349484	FITTING \varnothing 3/4"
7	1449500	PTFE PIPE \varnothing 2x4 mm - 10 m
8	1500002	NOZZLE M5x1
9	1186284	GROUP GASKET \varnothing 87x75x5.8 mm
11	1186136	ASBESTOS FREE FLAT GASKET \varnothing 29x22x2 mm
11	1186281	PTFE FLAT GASKET \varnothing 28x23x2 mm
13	1348326	SPRING RING RA-7 UNI 7437
14	1186143	BRASS WASHER
15	1324080	DRAIN FORK PIN
17	1186138	GASKET HOLDER PIN
18	1186111	FLAT EPDM GASKET \varnothing 14x4x4 mm
18	1186311	NBR FLAT GASKET \varnothing 13x4x4 mm
20	1250541	SPRING \varnothing 12x15 mm
21	1349481	MANUAL COFFEE GROUP FITTING
23	1449372	DRAIN PIPE \varnothing 13 mm
24	1324083	TOP GROUP PIN
26	1349073	GASKET HOLDER BUSHING
27	1186282	EPDM FLAT GASKET \varnothing 16.5x6x4 mm
29	1250437	TAP SPRING \varnothing 16x21 mm
32	1240836	MICROSWITCH 20A 380V
35	1348025	BRASS NUT M3
39	1346506	SLIDING BUSHING \varnothing 5x10 mm
42	1250436	CONTROL ROD SPRING \varnothing 14x12 mm
43	1348049	ELASTIC CLASP \varnothing 4x20 mm
45	1241441	BREWING GROUP HANDLE
49	1186851	FILTER HOLDER GASKET \varnothing 64x52.5x5.5 mm
50	1086516	SHOWER HOLDER DIFFUSER
51	1081041	SHOWER SCREEN \varnothing 48 mm
52	1528011	SHOWER SCREW M5x20
53	1186285	GROUP GASKET \varnothing 51x19x1 mm
54	1190007	RUBBER PIECE \varnothing 64x53x1 mm EPDM
54	1190101	PAPER SEAL \varnothing 64x53x0.7 mm
55	1786009	O-RING GASKET 0178 RED SILICONE
56	3186015	O-RING GASKET OR 0178 EPDM
57	1160033	1 CUP FILTER 6 gr
58	1160133	2 CUPS FILTER 12 gr
59	1160273	FILTER 1-CUP 7 GRAMS
60	1160270	FILTER 2 CUPS 14 gr NEW TYPE
61	1160271	1-CUP FILTER 8 gr
62	1160274	2 CUP FILTER 16 g
63	1160044	1 CUP FILTER 9 gr
64	1160045	2 CUPS FILTER 18 gr
65	1160046	2 CUPS FILTER 21 gr
66	1160287	BLIND FILTER
67	1250101	FILTER BLOCKING SPRING \varnothing 1,00 mm INOX
68	1165051	FILTER HOLDER SAN MARCO
69	1022501	SINGLE SPOUT \varnothing 3/8"
70	1022503	STRAIGHT SINGLE SPOUT \varnothing 3/8"
71	1022502	DOUBLE SPOUT \varnothing 3/8"
72	1241105	BLACK KNOB FOR FILTER HOLDER M10
73	1241502	FILTER HOLDER HANDLE M10
74	1165021	2 CUPS FILTER HOLDER ASSEMBLY SAN MARCO
75	1165080	1 CUP FILTER HOLDER ASSEMBLY SAN MARCO

BREW GROUP MANUAL OLD MODEL

OLD TYPE



SM0302



SAN MARCO

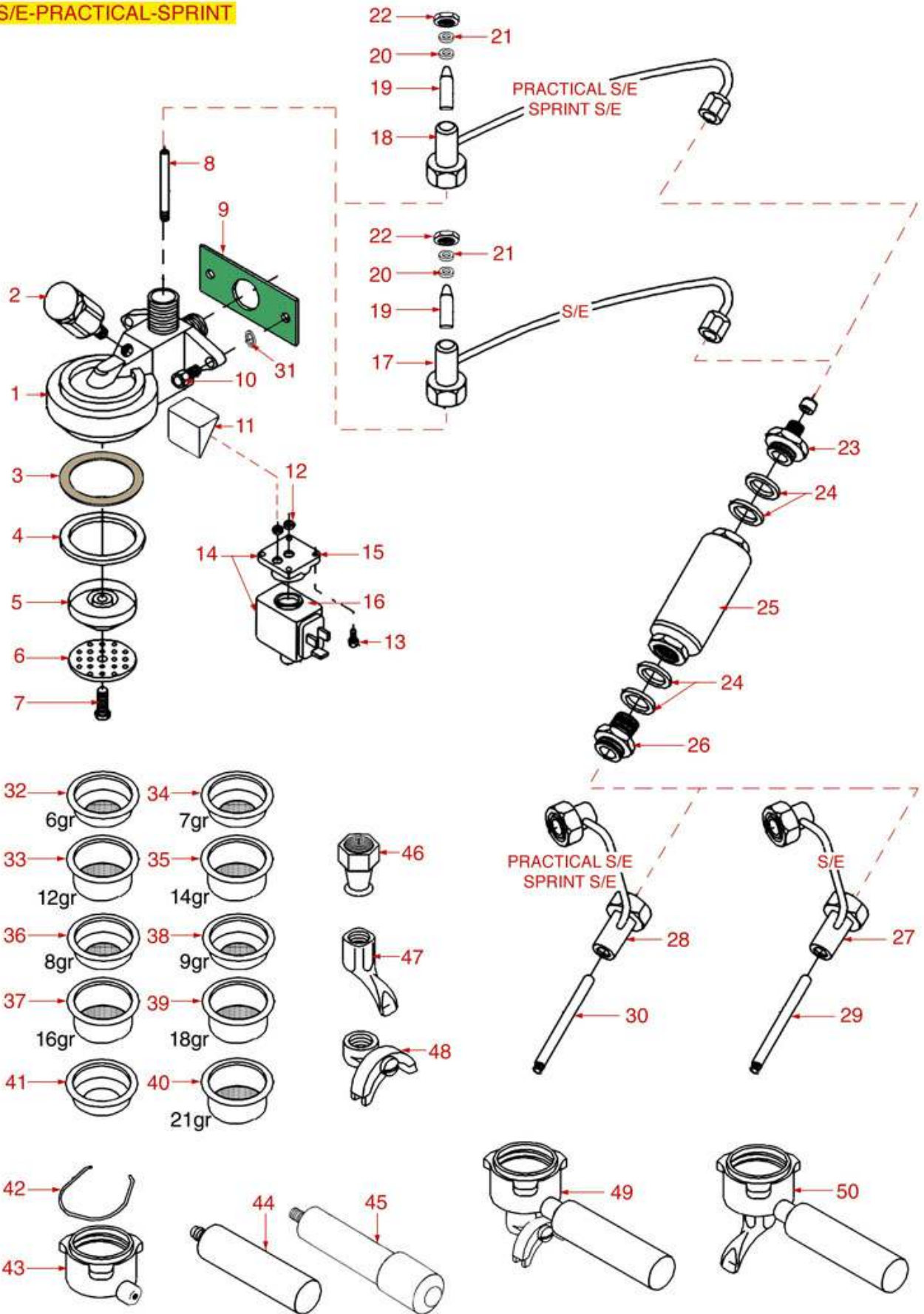


Position	LF code no.	Description
2	1186281	PTFE FLAT GASKET \varnothing 28x23x2 mm
3	1250437	TAP SPRING \varnothing 16x21 mm
5	1186282	EPDM FLAT GASKET \varnothing 16.5x6x4 mm
6	1324083	TOP GROUP PIN
7	1240836	MICROSWITCH 20A 380V
8	1186284	GROUP GASKET \varnothing 87x75x5.8 mm
9	1348326	SPRING RING RA-7 UNI 7437
10	1324080	DRAIN FORK PIN
11	1241441	BREWING GROUP HANDLE
13	1186111	FLAT EPDM GASKET \varnothing 14x4x4 mm
15	1323416	STAINLESS STEEL BALL \varnothing 10 mm
16	1250541	SPRING \varnothing 12x15 mm
17	1186356	O-RING 03075 EPDM
18	1190007	RUBBER PIECE \varnothing 64x53x1 mm EPDM
18	1190101	PAPER SEAL \varnothing 64x53x0.7 mm
19	1186851	FILTER HOLDER GASKET \varnothing 64x52.5x5.5 mm
20	1186285	GROUP GASKET \varnothing 51x19x1 mm
21	1086516	SHOWER HOLDER DIFFUSER
22	1081041	SHOWER SCREEN \varnothing 48 mm
23	1528011	SHOWER SCREW M5x20
23	1528023	S/STEEL CROSS SCREW M5x16 mm UNI 7688
24	1786009	O-RING GASKET 0178 RED SILICONE
25	3186015	O-RING GASKET OR 0178 EPDM
26	1160033	1 CUP FILTER 6 gr
27	1160133	2 CUPS FILTER 12 gr
28	1160273	FILTER 1-CUP 7 GRAMS
29	1160270	FILTER 2 CUPS 14 gr NEW TYPE
30	1160271	1-CUP FILTER 8 gr
31	1160274	2 CUP FILTER 16 g
32	1160044	1 CUP FILTER 9 gr
33	1160045	2 CUPS FILTER 18 gr
34	1160046	2 CUPS FILTER 21 gr
35	1160287	BLIND FILTER
36	1165051	FILTER HOLDER SAN MARCO
37	1022501	SINGLE SPOUT \varnothing 3/8"
38	1022503	STRAIGHT SINGLE SPOUT \varnothing 3/8"
39	1022502	DOUBLE SPOUT \varnothing 3/8"
40	1241105	BLACK KNOB FOR FILTER HOLDER M10
41	1241502	FILTER HOLDER HANDLE M10
42	1250101	FILTER BLOCKING SPRING \varnothing 1,00 mm INOX
43	1165021	2 CUPS FILTER HOLDER ASSEMBLY SAN MARCO
44	1165080	1 CUP FILTER HOLDER ASSEMBLY SAN MARCO



BREW GROUP 100 S/E-PRACT-SPRINT

100 S/E-PRACTICAL-SPRINT



SM0402

Positions without LF code no.: upon request



SAN MARCO

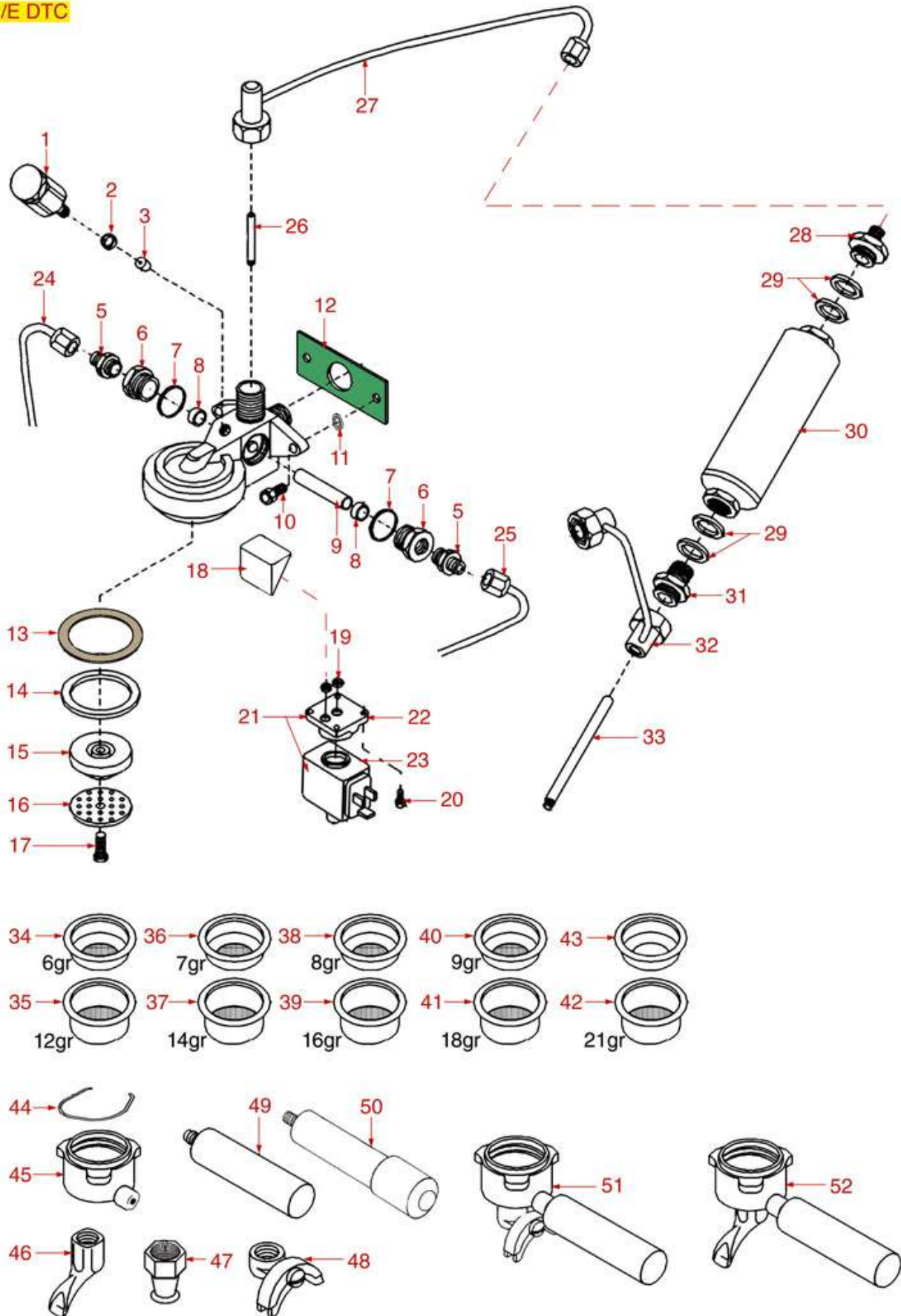


Position	LF code no.	Description
2	1202001	GROUP INFUSER
3	1190007	RUBBER PIECE \varnothing 64x53x1 mm EPDM
3	1190101	PAPER SEAL \varnothing 64x53x0.7 mm
4	1186786	FILTER HOLDER GASKET \varnothing 64x52.5x5.5 mm
5	1086516	SHOWER HOLDER DIFFUSER
6	1081041	SHOWER SCREEN \varnothing 48 mm
7	1528011	SHOWER SCREW M5x20
8	1501583	NOZZLE GROUP
9	1186521	COFFEE GROUP GASKET 95x45 mm
10	1528026	SCREW M8x1 mm UNI 5931
12	1186611	O-RING 02025 RED SILICONE
13	1184006	S/S SCREW T.C.C.E.I. M4x12 UNI 7984
14	1120330	3-WAY SOLENOID VALVE LUCIFER 240V 50Hz
14	1120335	3-WAY SOLENOID VALVE PARKER 230V 50/60Hz
15	1120334	3-WAY MECHANICAL COMPONENT LUCIFER
15	1120339	3-WAY MECHANICAL COMPONENT PARKER
16	1120332	COIL LUCIFER/PARKER 220/240V 9W 50Hz
16	3120032	COIL PARKER ZB09 9W 220/240V 50/60Hz
17	1449121	EXCHANGER ASSEMBLY PIPE
20	1186304	O-RING 0112 EPDM
23	1349395	UPPER THERMAL FITTING
24	1186290	PTFE FLAT GASKET \varnothing 27x21x2 mm
25	1449109	THERMAL PIPE \varnothing 1/2"
26	1349396	LOWER THERMAL FITTING
27	1449389	EXCHANGER ASSEMBLY PIPE
29	1449119	INJECTION PIPE \varnothing 1/8"M
32	1160033	1 CUP FILTER 6 gr
33	1160133	2 CUPS FILTER 12 gr
34	1160273	FILTER 1-CUP 7 GRAMS
35	1160270	FILTER 2 CUPS 14 gr NEW TYPE
36	1160271	1-CUP FILTER 8 gr
37	1160274	2 CUP FILTER 16 g
38	1160044	1 CUP FILTER 9 gr
39	1160045	2 CUPS FILTER 18 gr
40	1160046	2 CUPS FILTER 21 gr
41	1160287	BLIND FILTER
42	1250101	FILTER BLOCKING SPRING \varnothing 1,00 mm INOX
43	1160024	FILTER HOLDER SAN MARCO
44	1241104	SATIN BLACK KNOB FOR FILTER HOLDER M10
45	1241502	FILTER HOLDER HANDLE M10
46	1022503	STRAIGHT SINGLE SPOUT \varnothing 3/8"
47	1022501	SINGLE SPOUT \varnothing 3/8"
48	1022502	DOUBLE SPOUT \varnothing 3/8"
49	1165021	2 CUPS FILTER HOLDER ASSEMBLY SAN MARCO
50	1165080	1 CUP FILTER HOLDER ASSEMBLY SAN MARCO



BREW GROUP 100 S/E DTC

100 S/E DTC



SM0502

Positions without LF code no.: upon request



SAN MARCO

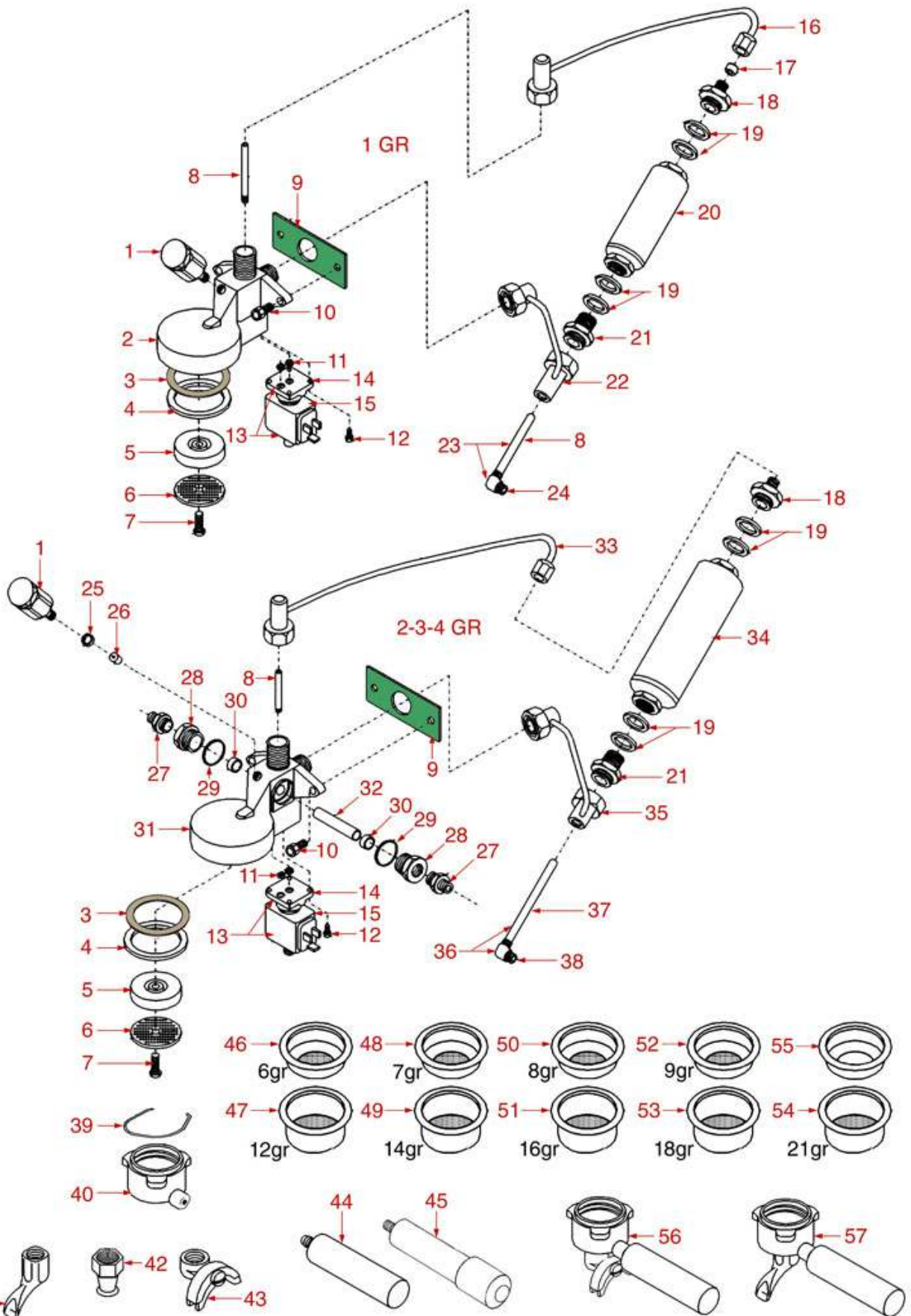


Position	LF code no.	Description
1	1202001	GROUP INFUSER
2	3243086	O-RING 0117 EPDM
5	1349397	GROUP FITTING
7	1186292	GASKET OR 0130 SILICONE
7	1186796	RED SILICONE O-RING 03087
8	3348044	PIPE OLIVE \varnothing 10 mm
10	1528026	SCREW M8x1 mm UNI 5931
12	1186521	COFFEE GROUP GASKET 95x45 mm
13	1190007	RUBBER PIECE \varnothing 64x53x1 mm EPDM
13	1190101	PAPER SEAL \varnothing 64x53x0.7 mm
14	1186786	FILTER HOLDER GASKET \varnothing 64x52.5x5.5 mm
15	1086516	SHOWER HOLDER DIFFUSER
16	1081041	SHOWER SCREEN \varnothing 48 mm
17	1528011	SHOWER SCREW M5x20
19	1186611	O-RING 02025 RED SILICONE
20	1184006	S/S SCREW T.C.C.E.I. M4x12 UNI 7984
21	1120330	3-WAY SOLENOID VALVE LUCIFER 240V 50Hz
21	1120335	3-WAY SOLENOID VALVE PARKER 230V 50/60Hz
22	1120334	3-WAY MECHANICAL COMPONENT LUCIFER
22	1120339	3-WAY MECHANICAL COMPONENT PARKER
23	1120332	COIL LUCIFER/PARKER 220/240V 9W 50Hz
23	3120032	COIL PARKER ZB09 9W 220/240V 50/60Hz
26	1501006	NOZZLE GROUP
26	1501583	NOZZLE GROUP
27	1449378	EXCHANGER ASSEMBLY PIPE
28	1349395	UPPER THERMAL FITTING
29	1186290	PTFE FLAT GASKET \varnothing 27x21x2 mm
30	1449379	THERMAL PIPE \varnothing 1/2"
31	1349396	LOWER THERMAL FITTING
32	1449389	EXCHANGER ASSEMBLY PIPE
34	1160033	1 CUP FILTER 6 gr
35	1160133	2 CUPS FILTER 12 gr
36	1160273	FILTER 1-CUP 7 GRAMS
37	1160270	FILTER 2 CUPS 14 gr NEW TYPE
38	1160271	1-CUP FILTER 8 gr
39	1160274	2 CUP FILTER 16 g
40	1160044	1 CUP FILTER 9 gr
41	1160045	2 CUPS FILTER 18 gr
42	1160046	2 CUPS FILTER 21 gr
43	1160287	BLIND FILTER
44	1250101	FILTER BLOCKING SPRING \varnothing 1,00 mm INOX
45	1160024	FILTER HOLDER SAN MARCO
46	1022501	SINGLE SPOUT \varnothing 3/8"
47	1022503	STRAIGHT SINGLE SPOUT \varnothing 3/8"
48	1022502	DOUBLE SPOUT \varnothing 3/8"
49	1241104	SATIN BLACK KNOB FOR FILTER HOLDER M10
50	1241502	FILTER HOLDER HANDLE M10
51	1165021	2 CUPS FILTER HOLDER ASSEMBLY SAN MARCO
52	1165080	1 CUP FILTER HOLDER ASSEMBLY SAN MARCO



BREW GROUP 105

105



SM0602

Positions without LF code no.: upon request



SAN MARCO

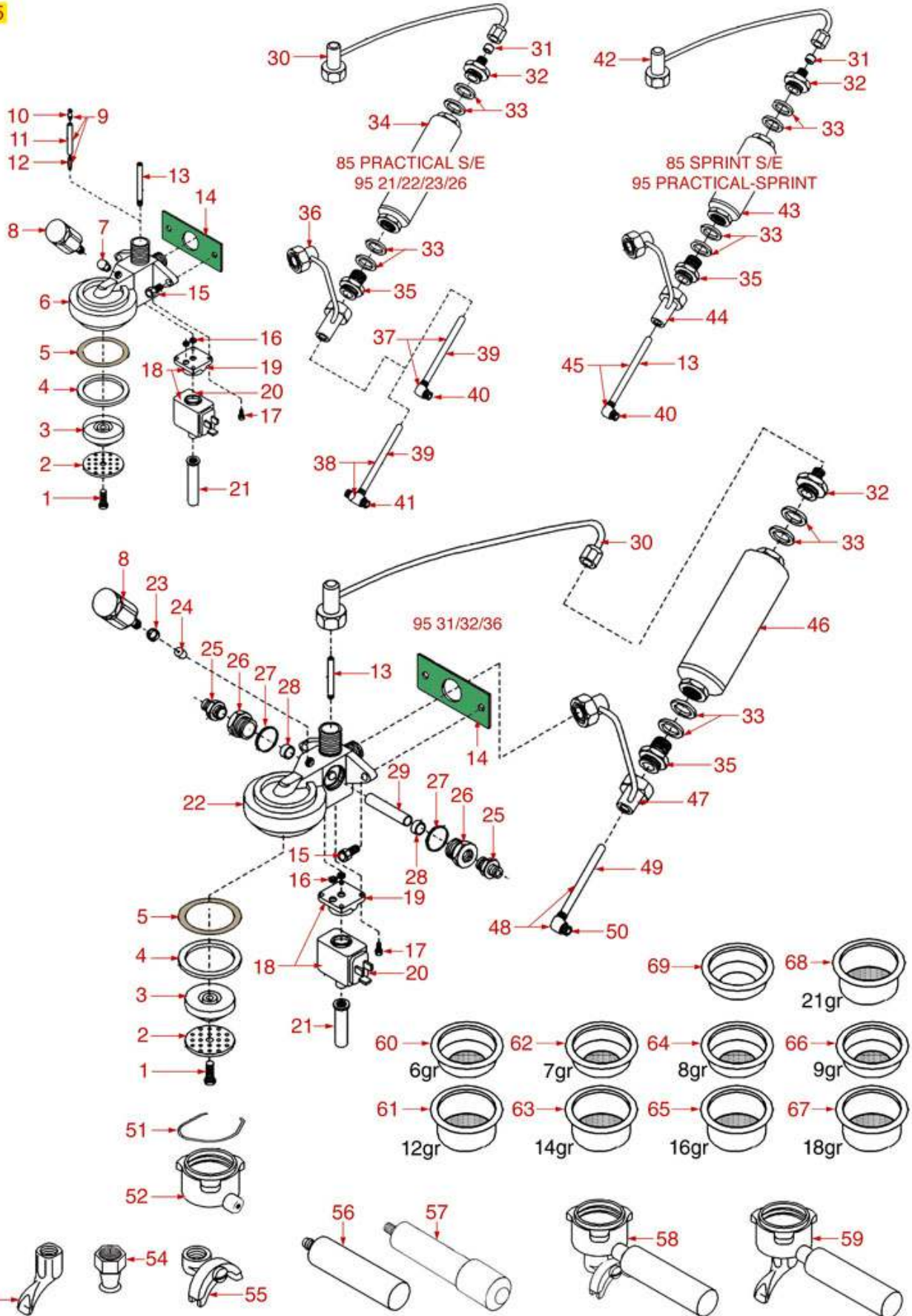


Position	LF code no.	Description
1	1202001	GROUP INFUSER
3	1190007	RUBBER PIECE \varnothing 64x53x1 mm EPDM
3	1190101	PAPER SEAL \varnothing 64x53x0.7 mm
4	1186786	FILTER HOLDER GASKET \varnothing 64x52.5x5.5 mm
5	1086001	SHOWER HOLDER DIFFUSER
6	1081041	SHOWER SCREEN \varnothing 48 mm
7	1528011	SHOWER SCREW M5x20
8	1501583	NOZZLE GROUP
9	1186521	COFFEE GROUP GASKET 95x45 mm
10	1528026	SCREW M8x1 mm UNI 5931
11	1186611	O-RING 02025 RED SILICONE
12	1184006	S/S SCREW T.C.C.E.I. M4x12 UNI 7984
13	1120350	3-WAY SOLENOID VALVE PARKER 24V 50/60Hz
14	1120339	3-WAY MECHANICAL COMPONENT PARKER
15	3120033	COIL PARKER ZB09 9W 24V 50/60Hz
16	1449120	EXCHANGER ASSEMBLY PIPE
17	1186787	CONICAL PTFE SEAL \varnothing 10x4x6 mm
18	1349395	UPPER THERMAL FITTING
19	1186290	PTFE FLAT GASKET \varnothing 27x21x2 mm
20	1449113	THERMAL PIPE \varnothing 1/2"
21	1349396	LOWER THERMAL FITTING
22	1449112	EXCHANGER ASSEMBLY PIPE
23	1449111	INJECTION PIPE \varnothing 1/4"M
25	3243086	O-RING 0117 EPDM
27	1349397	GROUP FITTING
29	1186796	RED SILICONE O-RING 03087
30	3348044	PIPE OLIVE \varnothing 10 mm
33	1449378	EXCHANGER ASSEMBLY PIPE
34	1449379	THERMAL PIPE \varnothing 1/2"
35	1449389	EXCHANGER ASSEMBLY PIPE
36	1449390	INJECTION PIPE \varnothing 1/8"M
39	1250101	FILTER BLOCKING SPRING \varnothing 1,00 mm INOX
40	1160024	FILTER HOLDER SAN MARCO
41	1022501	SINGLE SPOUT \varnothing 3/8"
42	1022503	STRAIGHT SINGLE SPOUT \varnothing 3/8"
43	1022502	DOUBLE SPOUT \varnothing 3/8"
44	1241107	ANTHRACITE KNOB FOR FILTER HOLDER M10
45	1241502	FILTER HOLDER HANDLE M10
46	1160033	1 CUP FILTER 6 gr
47	1160133	2 CUPS FILTER 12 gr
48	1160273	FILTER 1-CUP 7 GRAMS
49	1160270	FILTER 2 CUPS 14 gr NEW TYPE
50	1160271	1-CUP FILTER 8 gr
51	1160274	2 CUP FILTER 16 g
52	1160044	1 CUP FILTER 9 gr
53	1160045	2 CUPS FILTER 18 gr
54	1160046	2 CUPS FILTER 21 gr
55	1160287	BLIND FILTER
56	1165021	2 CUPS FILTER HOLDER ASSEMBLY SAN MARCO
57	1165080	1 CUP FILTER HOLDER ASSEMBLY SAN MARCO



BREW GROUP 85-95

85-95



SM0702

Positions without LF code no.: upon request



SAN MARCO

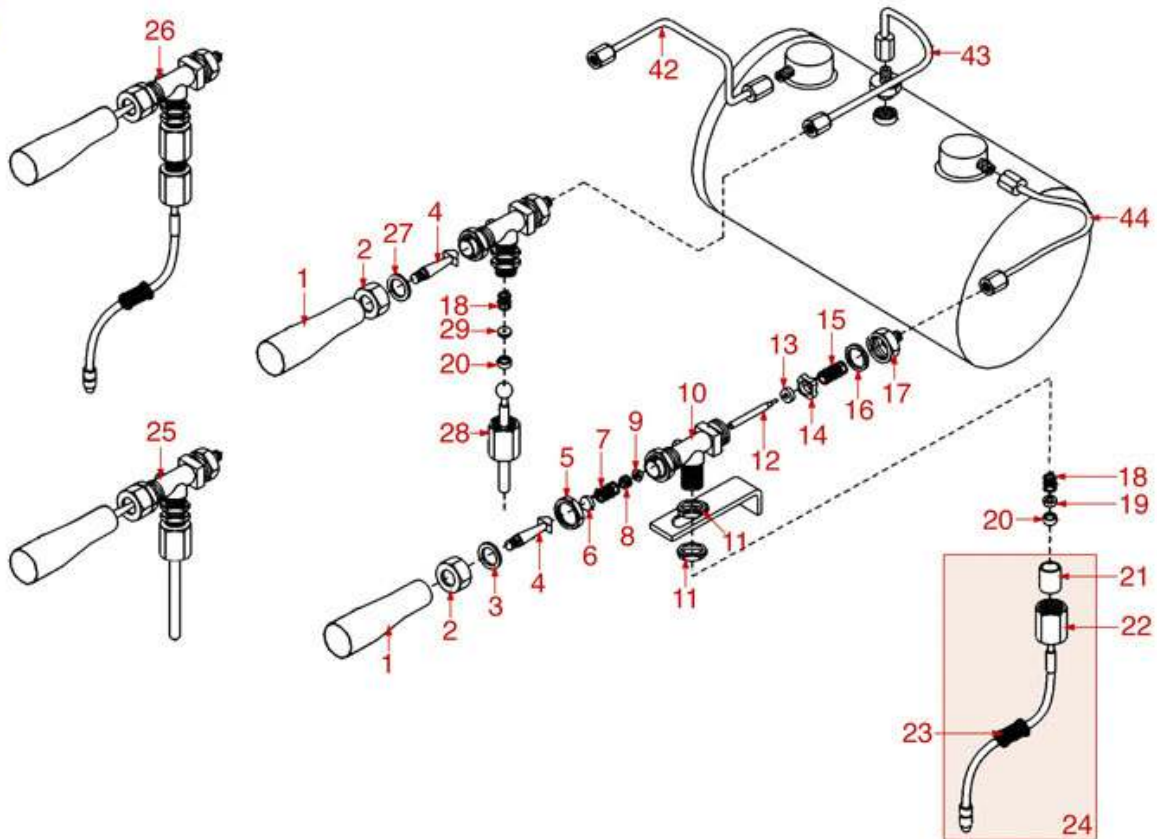


Pos.	LF code no.	Description	Pos.	LF code no.	Description
1	1528011	SHOWER SCREW M5x20	69	1160287	BLIND FILTER
2	1081041	SHOWER SCREEN ø 48 mm			
3	1086516	SHOWER HOLDER DIFFUSER			
4	1186786	FILTER HOLDER GASKET ø 64x52.5x5.5 mm			
4	1186851	FILTER HOLDER GASKET ø 64x52.5x5.5 mm			
5	1190007	RUBBER PIECE ø 64x53x1 mm EPDM			
5	1190101	PAPER SEAL ø 64x53x0.7 mm			
8	1202001	GROUP INFUSER			
9	1501582	COMPLETE NOZZLE			
10	1500002	NOZZLE M5x1			
13	1501006	NOZZLE GROUP			
13	1501583	NOZZLE GROUP			
14	1186521	COFFEE GROUP GASKET 95x45 mm			
15	1528026	SCREW M8x1 mm UNI 5931			
16	1186611	O-RING 02025 RED SILICONE			
17	1184006	S/S SCREW T.C.C.E.I. M4x12 UNI 7984			
18	1120330	3-WAY SOLENOID VALVE LUCIFER 240V 50Hz			
18	1120335	3-WAY SOLENOID VALVE PARKER 230V 50/60Hz			
19	1120334	3-WAY MECHANICAL COMPONENT LUCIFER			
19	1120339	3-WAY MECHANICAL COMPONENT PARKER			
20	1120332	COIL LUCIFER/PARKER 220/240V 9W 50Hz			
20	3120032	COIL PARKER ZB09 9W 220/240V 50/60Hz			
21	1449570	DRAIN PIPE ø 1/8"Fx64 mm			
21	1449571	DRAIN PIPE			
23	3243086	O-RING 0117 EPDM			
25	1349397	GROUP FITTING			
26	1349397	GROUP FITTING			
27	1186796	RED SILICONE O-RING 03087			
28	3348044	PIPE OLIVE ø 10 mm			
30	1449374	EXCHANGER ASSEMBLY PIPE			
30	1449378	EXCHANGER ASSEMBLY PIPE			
31	1186787	CONICAL PTFE SEAL ø 10x4x6 mm			
32	1349395	UPPER THERMAL FITTING			
33	1186290	PTFE FLAT GASKET ø 27x21x2 mm			
34	1449109	THERMAL PIPE ø 1/2"			
35	1349396	LOWER THERMAL FITTING			
36	1449115	EXCHANGER ASSEMBLY PIPE			
36	1449375	EXCHANGER ASSEMBLY PIPE			
37	1449376	INJECTION PIPE ø 1/4"M			
38	1449377	INJECTION PIPE ø 1/4"M			
42	1449120	EXCHANGER ASSEMBLY PIPE			
43	1449113	THERMAL PIPE ø 1/2"			
44	1449112	EXCHANGER ASSEMBLY PIPE			
45	1449111	INJECTION PIPE ø 1/4"M			
46	1449379	THERMAL PIPE ø 1/2"			
47	1449389	EXCHANGER ASSEMBLY PIPE			
48	1449376	INJECTION PIPE ø 1/4"M			
48	1449390	INJECTION PIPE ø 1/8"M			
51	1250101	FILTER BLOCKING SPRING ø 1,00 mm INOX			
52	1165051	FILTER HOLDER SAN MARCO			
53	1022501	SINGLE SPOUT ø 3/8"			
54	1022503	STRAIGHT SINGLE SPOUT ø 3/8"			
55	1022502	DOUBLE SPOUT ø 3/8"			
56	1241105	BLACK KNOB FOR FILTER HOLDER M10			
57	1241502	FILTER HOLDER HANDLE M10			
58	1165021	2 CUPS FILTER HOLDER ASSEMBLY SAN MARCO			
59	1165080	1 CUP FILTER HOLDER ASSEMBLY SAN MARCO			
60	1160033	1 CUP FILTER 6 gr			
61	1160133	2 CUPS FILTER 12 gr			
62	1160273	FILTER 1-CUP 7 GRAMS			
63	1160270	FILTER 2 CUPS 14 gr NEW TYPE			
64	1160271	1-CUP FILTER 8 gr			
65	1160274	2 CUP FILTER 16 g			
66	1160044	1 CUP FILTER 9 gr			
67	1160045	2 CUPS FILTER 18 gr			
68	1160046	2 CUPS FILTER 21 gr			

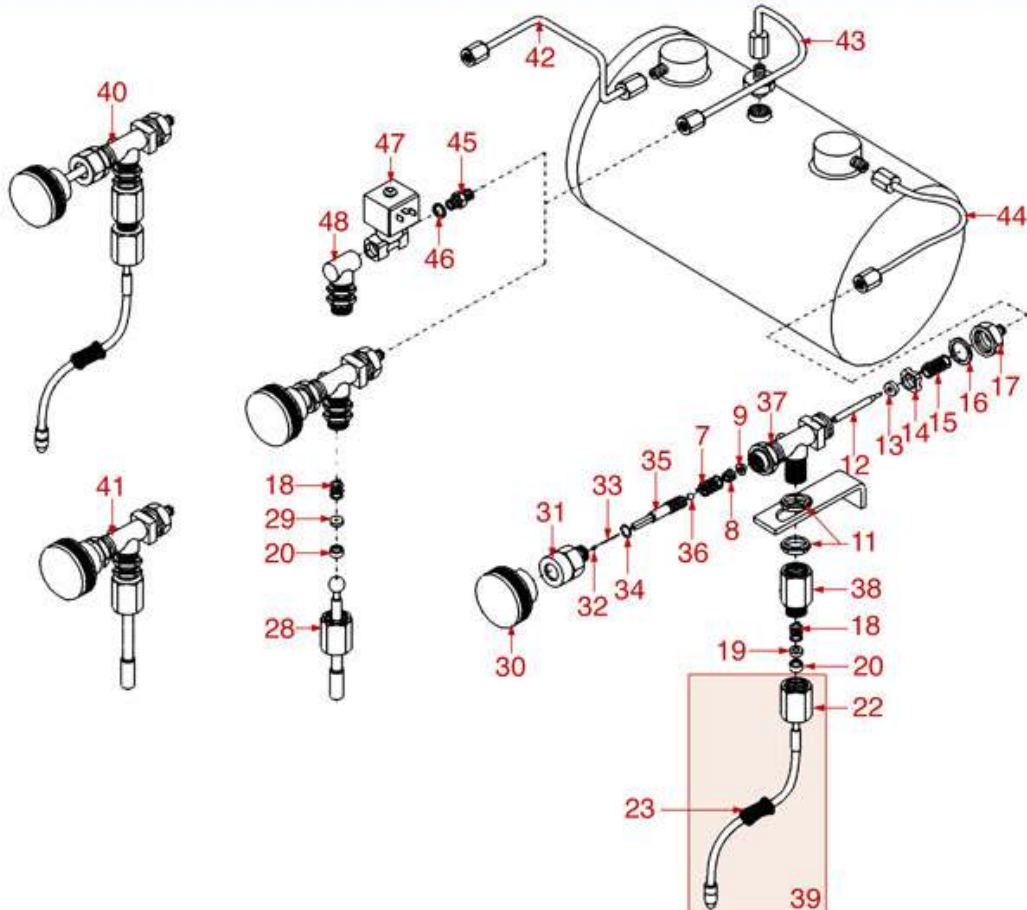


WATER/STEAM TAPS 100-105

100



105





SAN MARCO

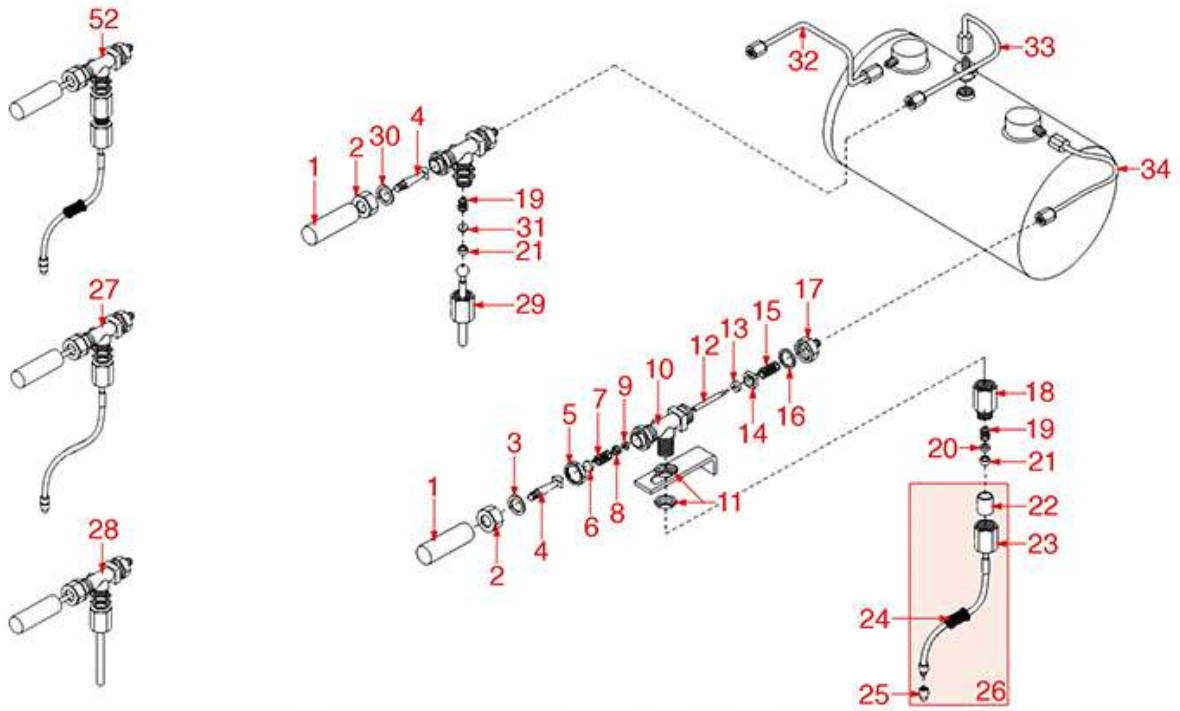


Position	LF code no.	Description
1	1241102	WATER/STEAM TAP KNOB
2	1528050	NICKEL-PLATED NUT
3	1186464	SHAPED STAINLESS STEEL WASHER
4	1324111	LEVER SPINDLE FOR TAP
5	1349487	TAP FITTING
6	1065501	ST.STEEL SHIELD FOR TAP
7	1250437	TAP SPRING \varnothing 16x21 mm
8	1186463	GASKET HOLDER
9	1186370	CONICAL PTFE SEAL \varnothing 12.5x7x5.5 mm
10	1348750	TAP BODY
11	1528142	BRASS NUT
12	1324081	TAP SPINDLE
13	1186369	EPDM FLAT GASKET \varnothing 15x5.5x4 mm
14	1523522	VALVE BODY
15	1250543	VALVE SPRING \varnothing 16x20 mm
16	1186368	ASBESTOS FREE FLAT GASKET \varnothing 23.5x20x1 mm
17	1349486	TAP COUPLING
18	1250541	SPRING \varnothing 12x15 mm
19	1186289	WASHER
20	1186372	CONICAL PTFE SEAL \varnothing 14.5x10.5x4.5 mm
21	1186785	CONICAL PTFE SEAL \varnothing 16x20 mm
22	1349451	STEAM TUBE FITTING \varnothing 3/8"
24	1449110	STAINLESS STEEL STEAM PIPE COMPL. \varnothing 10 m
27	1186142	ST.STEEL WASHER \varnothing 23x15x0.5 mm
28	1449401	COMPLETE WATER PIPE
29	1186783	WASHER FOR ARTICULATION \varnothing 14 mm
30	1241450	WATER/STEAM TAP KNOB
34	1186295	STAINLESS STEEL CIRCLIP RA-8 UNI 7437
35	1324501	TAP SPINDLE
36	1323601	STAINLESS STEEL BALL \varnothing 6 mm
39	1449400	STEAM PIPE COMPLETE
40	1348760	STEAM TAP
41	1348759	WATER TAP
45	1349102	FITTING \varnothing 1/4"M-1/4"M
46	1186289	WASHER

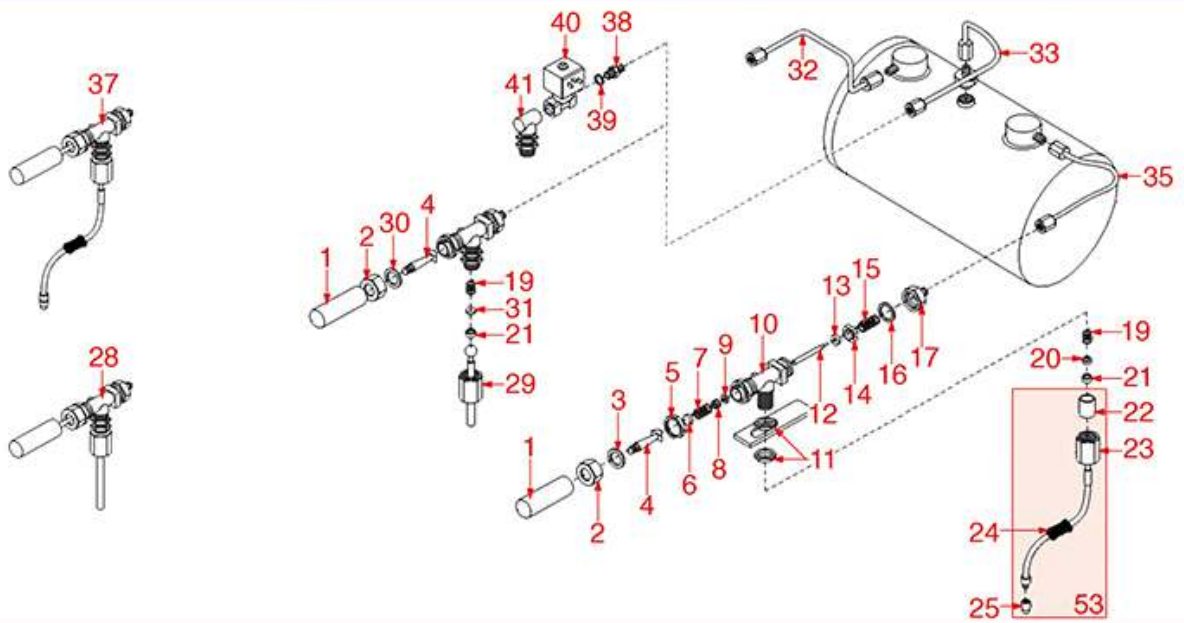


WATER/STEAM TAPS 85-95

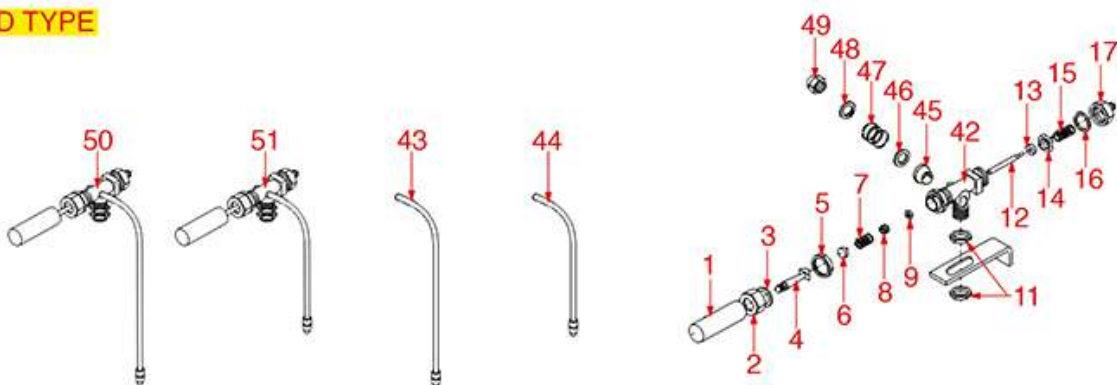
85



95



OLD TYPE





SAN MARCO

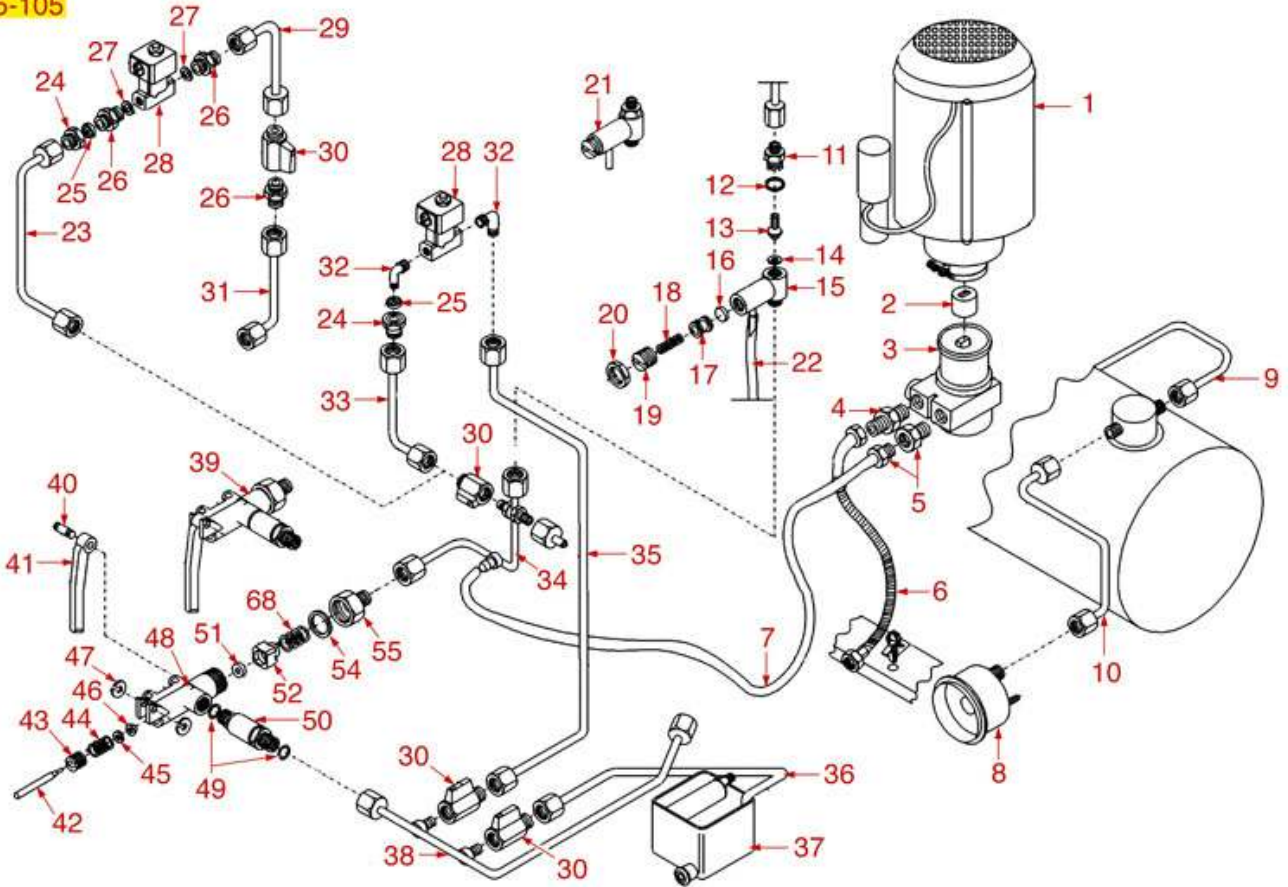


Position	LF code no.	Description
1	1241442	WATER/STEAM TAP KNOB
2	1528050	NICKEL-PLATED NUT
3	1186464	SHAPED STAINLESS STEEL WASHER
4	1324111	LEVER SPINDLE FOR TAP
5	1349487	TAP FITTING
6	1065501	ST.STEEL SHIELD FOR TAP
7	1250437	TAP SPRING \varnothing 16x21 mm
8	1186463	GASKET HOLDER
9	1186370	CONICAL PTFE SEAL \varnothing 12.5x7x5.5 mm
10	1348750	TAP BODY
11	1528142	BRASS NUT
12	1324081	TAP SPINDLE
13	1186369	EPDM FLAT GASKET \varnothing 15x5.5x4 mm
14	1523522	VALVE BODY
15	1250543	VALVE SPRING \varnothing 16x20 mm
16	1186368	ASBESTOS FREE FLAT GASKET \varnothing 23.5x20x1 mm
17	1349486	TAP COUPLING
19	1250541	SPRING \varnothing 12x15 mm
20	1186289	WASHER
21	1186372	CONICAL PTFE SEAL \varnothing 14.5x10.5x4.5 mm
22	1186785	CONICAL PTFE SEAL \varnothing 16x20 mm
23	1349451	STEAM TUBE FITTING \varnothing 3/8"
26	1449852	STEAM PIPE COMPLETE
27	1348751	STEAM TAP ASSEMBLY
29	1449401	COMPLETE WATER PIPE
30	1186142	ST.STEEL WASHER \varnothing 23x15x0.5 mm
31	1186783	WASHER FOR ARTICULATION \varnothing 14 mm
36	1449114	ST.STEEL COMPL.STEAM PIPE \varnothing 10 mm
38	1349102	FITTING \varnothing 1/4"M-1/4"M
39	1186289	WASHER
43	1449851	STEAM PIPE COMPLETE
45	1186286	CONICAL PTFE SEAL \varnothing 12x8x4 mm
46	1186143	BRASS WASHER
47	1250541	SPRING \varnothing 12x15 mm
48	1186143	BRASS WASHER
50	1348755	COMPLETE WATER STEAM TAP
52	1449118	COMPLETE STEAM TAP
53	1449114	ST.STEEL COMPL.STEAM PIPE \varnothing 10 mm

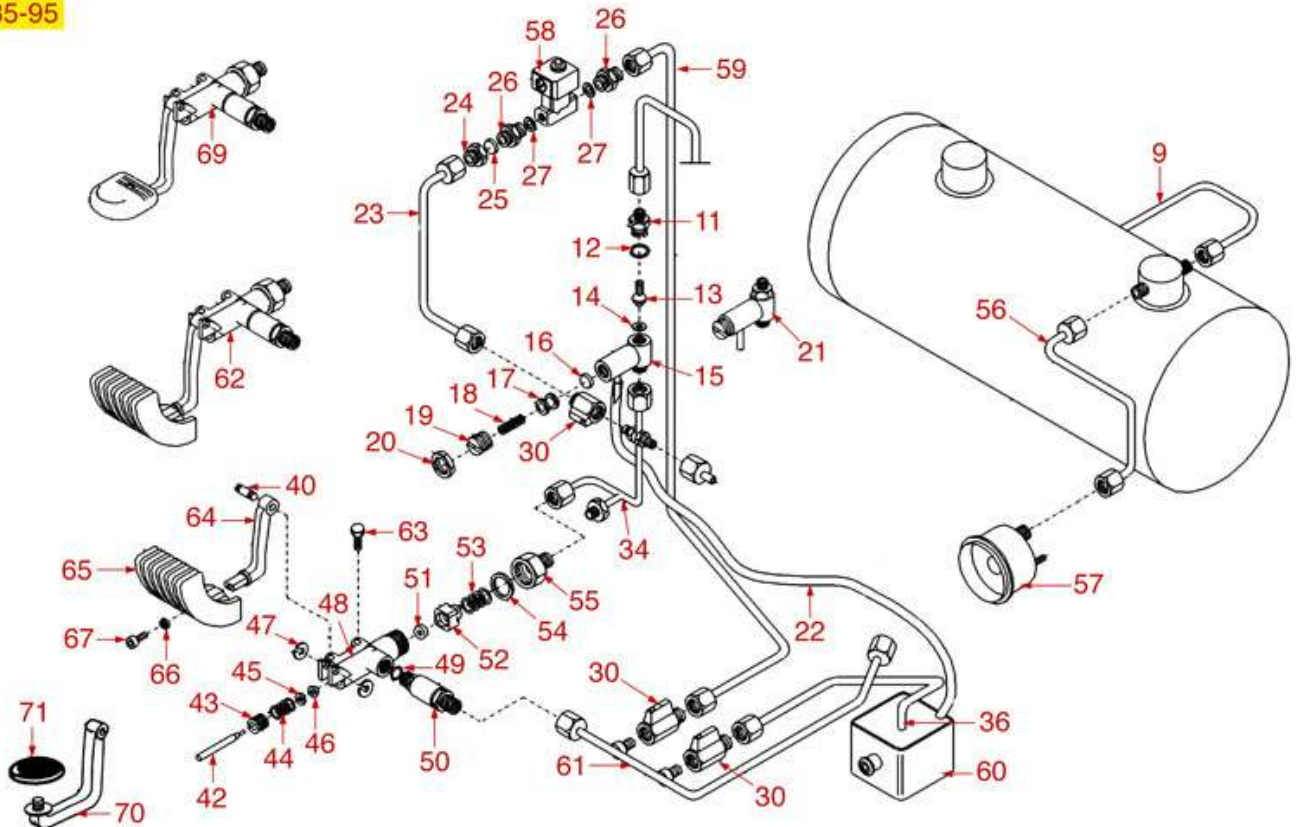


INLET AND NON-RETURN TAPS 105-95-85

85-105



85-95



SM1502

Positions without LF code no.: upon request



SAN MARCO

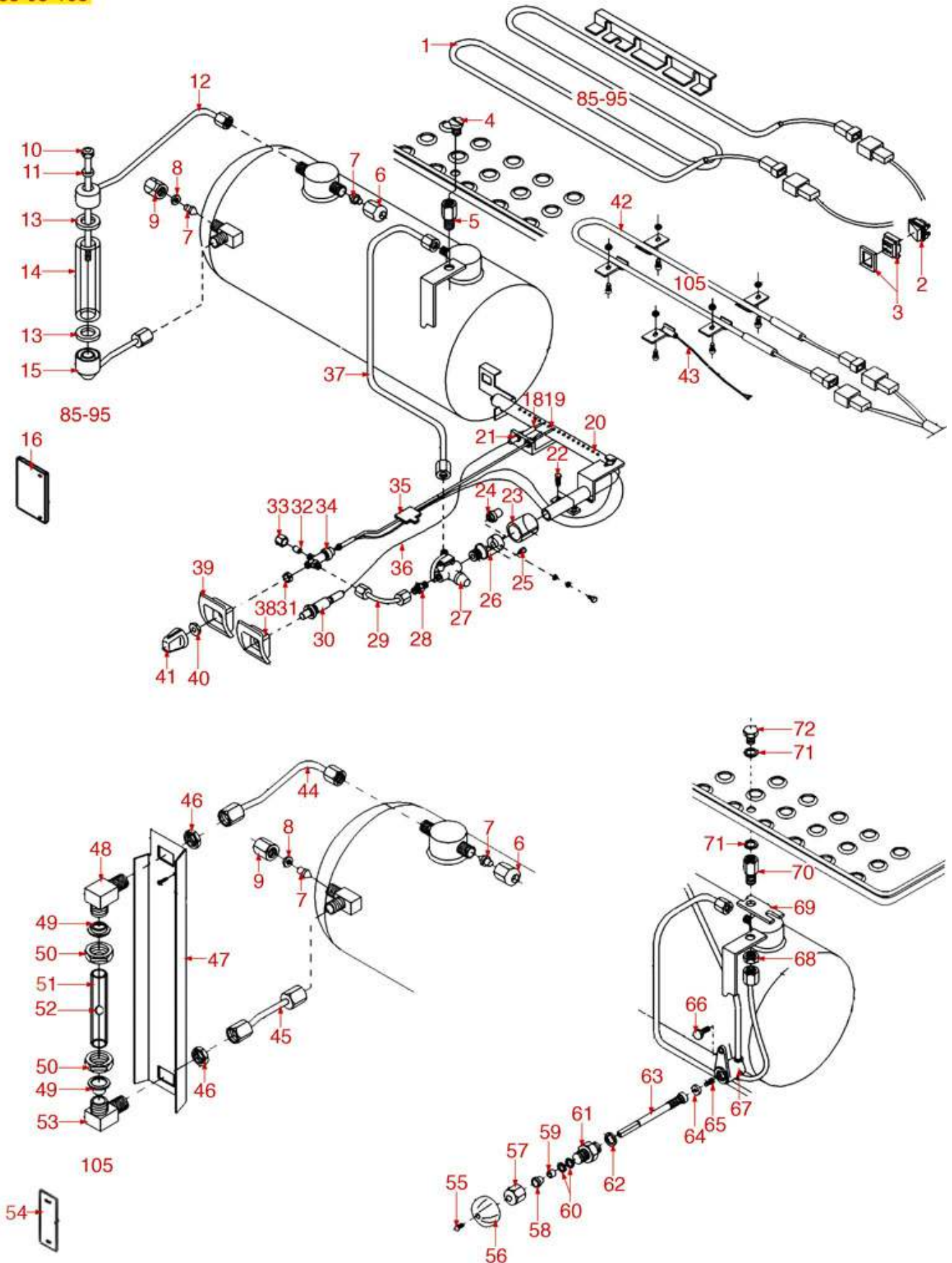


Position	LF code no.	Description
4	1349202	FITTING 3/8M-3/8M
8	1245661	BOILER-PUMP PRESSURE GAUGE \varnothing 63 mm
12	1186414	O-RING 0119 EPDM
13	1324082	PIN FOR VALVE
14	1186411	O-RING 02031 EPDM
15	1523523	NON-RETURN VALVE BODY
16	1186145	BLIND GASKET \varnothing 13x3 mm
17	1186146	GASKET HOLDER FOR TAP
18	1250041	SPRING \varnothing 10x28 mm
19	1439019	INLET TAP CAP \varnothing 18 mm
20	1528142	BRASS NUT
21	1348753	NON-RETURN VALVE
25	1160023	STAINLESS STEEL WATER FILTER \varnothing 11x2 mm
26	1349102	FITTING \varnothing 1/4"M-1/4"M
27	1186289	WASHER
40	1324079	TAP LEVER PIN \varnothing 6x26 mm
41	1225035	INLET TAP LEVER
42	1324081	TAP SPINDLE
43	1349039	ADJUSTMENT FITTING
44	1250541	SPRING \varnothing 12x15 mm
45	1186462	FLAT BRASS WASHER \varnothing 12x8x2 mm
46	1186370	CONICAL PTFE SEAL \varnothing 12.5x7x5.5 mm
47	1348817	STAINLESS STEEL CIRCLIP RA-4 UNI 7437
49	1186140	ROUND COPPER GASKET \varnothing 24x18.4x2 mm
50	1523701	NON-RETURN VALVE \varnothing 3/8"M-3/8"M
51	1186369	EPDM FLAT GASKET \varnothing 15x5.5x4 mm
52	1523522	VALVE BODY
53	1250542	SPRING \varnothing 15x20 mm
54	1186368	ASBESTOS FREE FLAT GASKET \varnothing 23.5x20x1 mm
57	1245661	BOILER-PUMP PRESSURE GAUGE \varnothing 63 mm
58	1120354	2-WAY SOLENOID VALVE PARKER 230V 50/60Hz
60	1527511	DRAIN TUB
62	1348754	WATER INLET TAP
64	1225009	TAP LEVER
65	1241061	INLET TAP LEVER
68	1250234	SPRING \varnothing 14.5x20 mm INLET TAP
69	1348752	WATER INLET TAP
70	1225010	TAP LEVER
71	1241515	INLET TAP LEVER



LEVEL GAUGE-GAS-CUP WARMING 105/95/85

85-95-105



SM2002

Positions without LF code no.: upon request



SAN MARCO

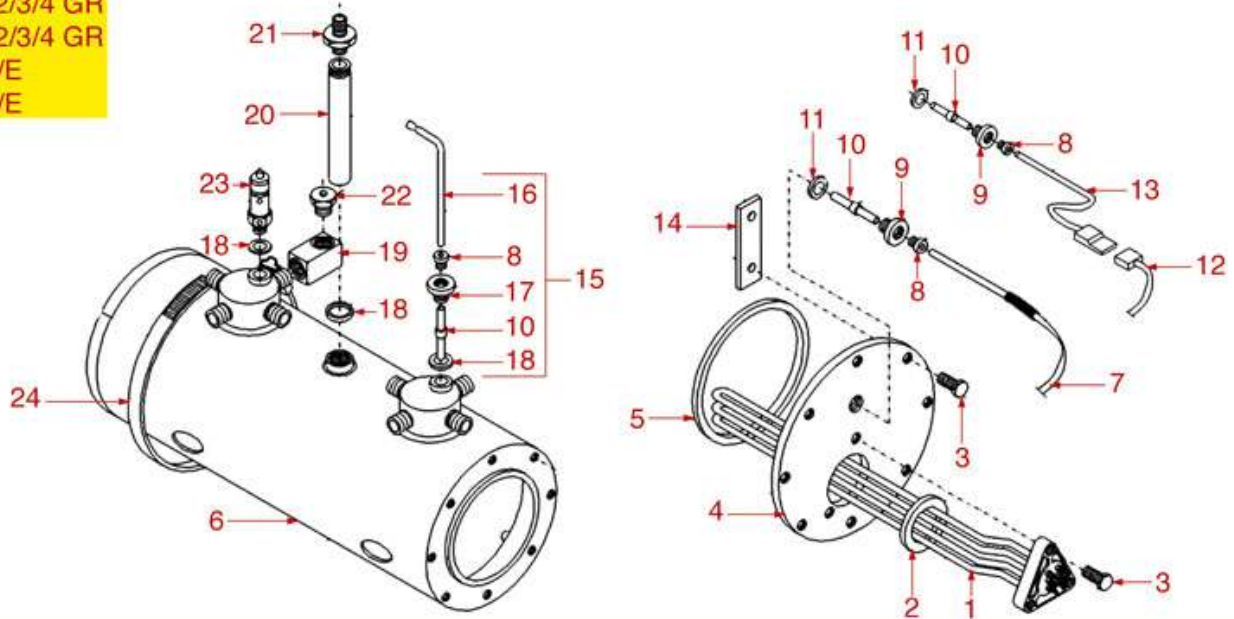


Position	LF code no.	Description
2	3319296	BLACK BIPOLAR SWITCH 16A 250V
3	3319501	SWITCH PROTECTION CAP
8	1186289	WASHER
10	1528523	STAINLESS STEEL TIE ROD F. LEVEL
11	1186148	ASBESTOS FREE FLAT GASKET \varnothing 15x7x2 mm
12	1449380	UPPER LEVEL-BOILER PIPE
13	1186256	SILICONE FLAT GASKET \varnothing 31x19x3 mm
14	1520566	LEVEL GLASS \varnothing 30x110 mm
15	1449381	BOILER LEVEL LOWER PIPE
15	1449382	BOILER LEVEL LOWER PIPE
16	1201015	LEVEL PLATE 88x46 mm
30	3001007	PIEZO IGNITER
38	1244001	PLATE FOR PIEZO IGNITER
39	1244002	PLATE FOR GAS TAP
49	1186257	FLAT SILICONE GASKET
51	1520001	LEVEL GLASS \varnothing 15x115 mm
52	1323001	RED LEVEL BALL \varnothing 5.8 mm
54	1201014	LEVEL PLATE 82x30 mm
56	1241446	CUP WARMER KNOB
58	1186151	CUP WARMING STUFFING GLAND TAP
59	1186150	FLAT EPDM GASKET \varnothing 13x7.4x7 mm
60	1186411	O-RING 02031 EPDM
62	1186149	ASBESTOS FREE FLAT GASKET \varnothing 22x18x2 mm
64	1186111	FLAT EPDM GASKET \varnothing 14x4x4 mm
71	1186112	ASBESTOS FREE FLAT GASKET \varnothing 15x10x1 mm

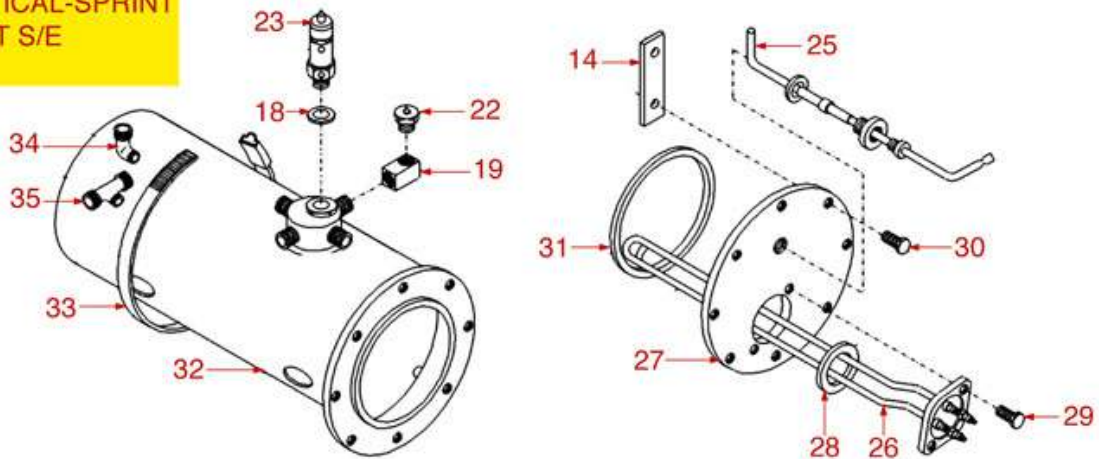


BOILER 100-105-95-85

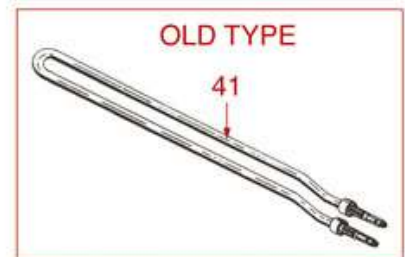
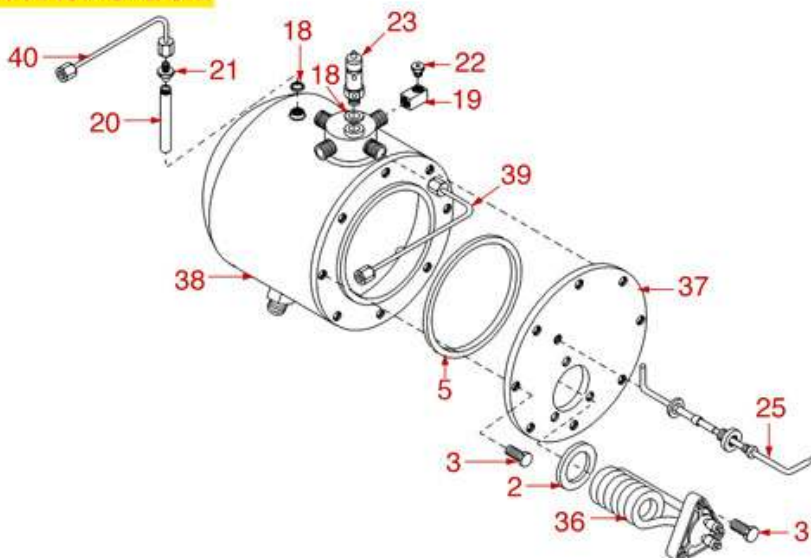
100 2/3/4 GR
105 2/3/4 GR
85 S/E
95 S/E



95 PRACTICAL-SPRINT
85 SPRINT S/E
105 1 GR



85 PRACTICAL S/E





SAN MARCO

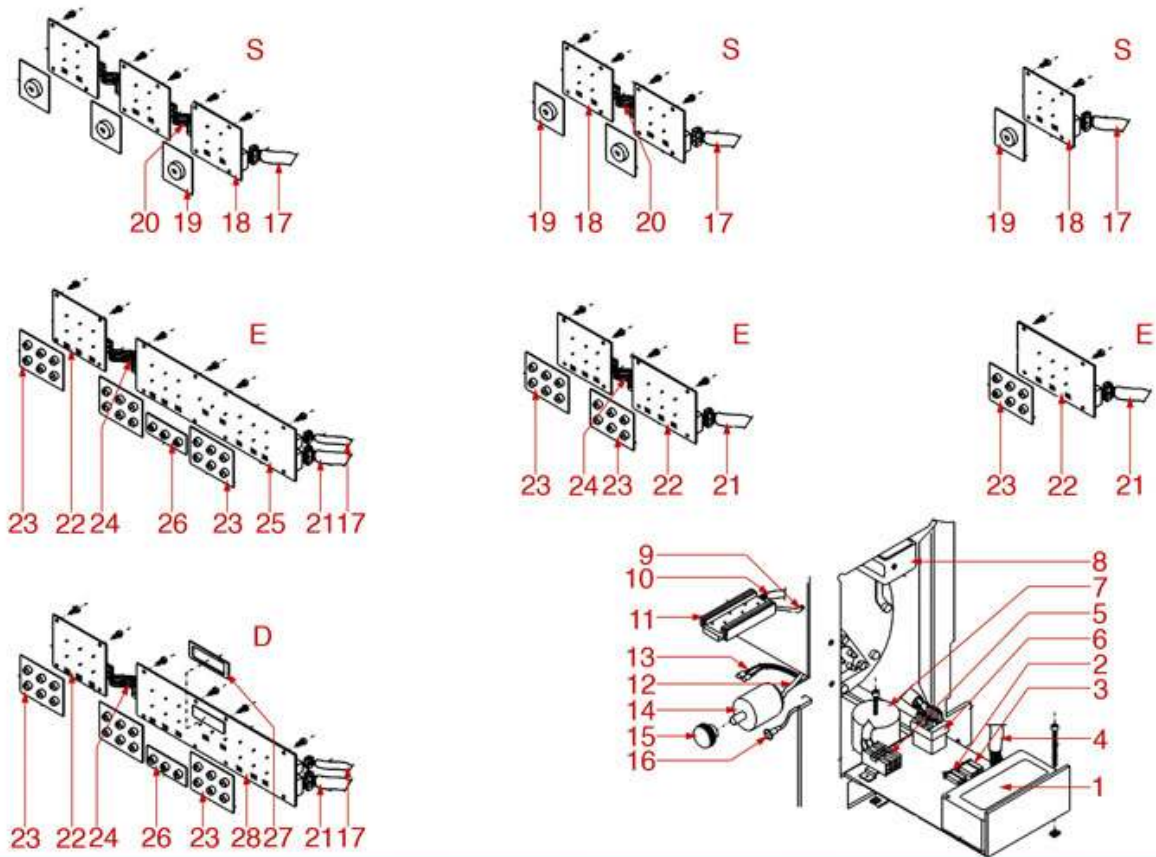


Position	LF code no.	Description
1	1755105	HEATING ELEMENT 4000W 230V
1	1755106	HEATING ELEMENT 5500W 230/400V
1	1755114	HEATING ELEMENT 3000W 230V
1	1755126	HEATING ELEMENT 3500W 230/400V
1	1755201	HEATING ELEMENT 3000W 230/400V
1	1755202	HEATING ELEMENT 4500W 230V
2	1186637	FLAT CARBO GASKET \varnothing 56x47x3 mm
3	9528001	STAINLESS STEEL SCREW T.E.M10x25 UNI5739
5	1186566	BOILER GASKET \varnothing 165x150x3 mm
11	1186784	ASBESTOS FREE FLAT GASKET \varnothing 17.5x13x2 mm
15	1341014	LEVEL PROBE \varnothing 3/8"M-142 mm
18	1186140	ROUND COPPER GASKET \varnothing 24x18.4x2 mm
22	1523534	BOILER VALVE \varnothing 1/4"M
22	1523537	BOILER VALVE \varnothing 1/4"M
23	1523543	BOILER VALVE \varnothing M18x1.5 AUTO-CERTIFIED
23	1523572	BOILER VALVE \varnothing 3/8"M - 1,8 bar CE/PED
25	1341012	LEVEL PROBE \varnothing 1/4"M-85 mm
26	1755783	HEATING ELEMENT 4500W 230/400V
26	1755784	HEATING ELEMENT 2000W 230V
26	1755785	HEATING ELEMENT 3000W 230V
28	1186156	ASBESTOS FREE FLAT GASKET \varnothing 50x40x2 mm
28	1186608	PTFE FLAT GASKET \varnothing 50x40x2 mm
29	1528622	S/S SCREW T.E. M8x16 UNI 5739 DIN 24017
31	1186565	BOILER GASKET \varnothing 131x123x3 mm
36	1755203	HEATING ELEMENT 1750W 220V
36	1755781	HEATING ELEMENT 1750W 110V
41	1755196	HEATING ELEMENT 1000W 220V
41	1755197	HEATING ELEMENT 1300W 220V
41	1755198	HEATING ELEMENT 1850W 220V

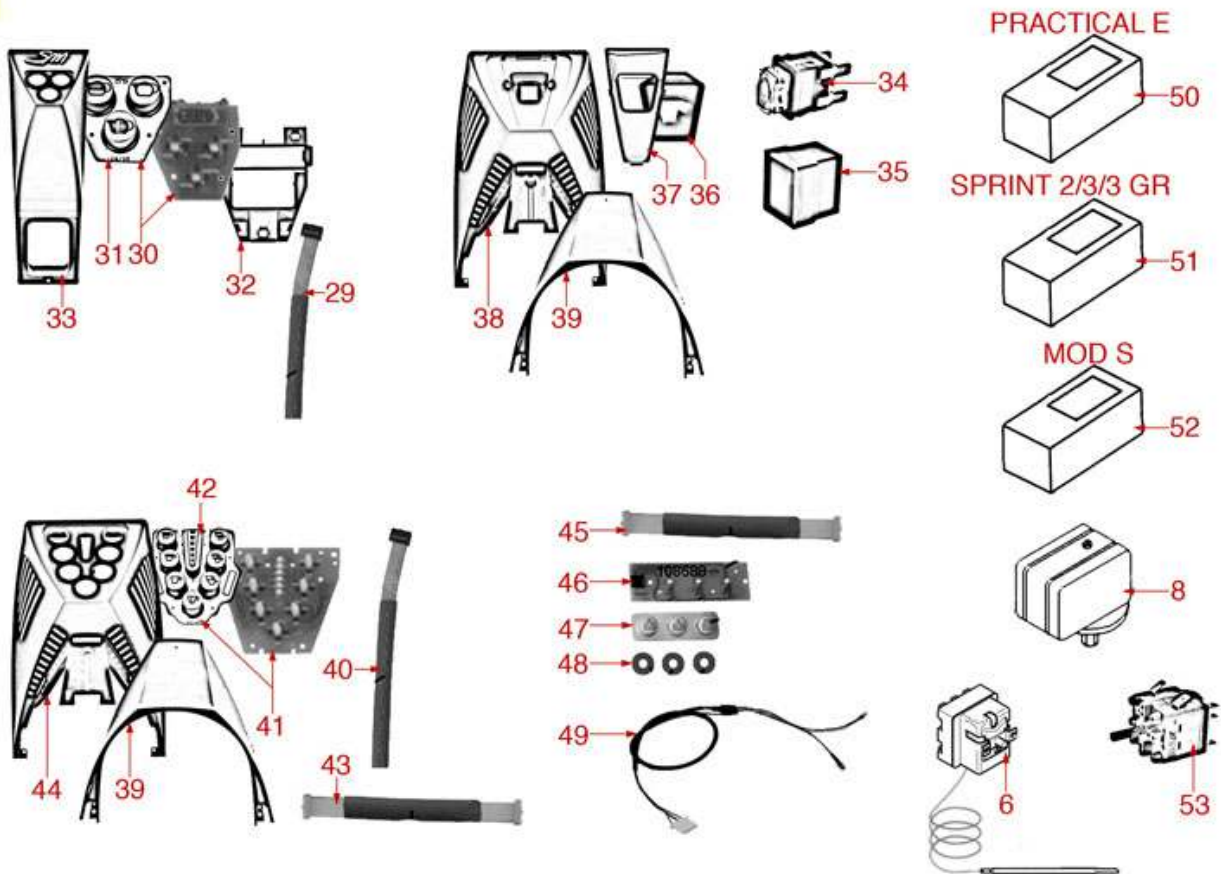


ELECTRIC EQUIPMENT/PUSH BUTTONS 100-105

105



100



SM3002



SAN MARCO

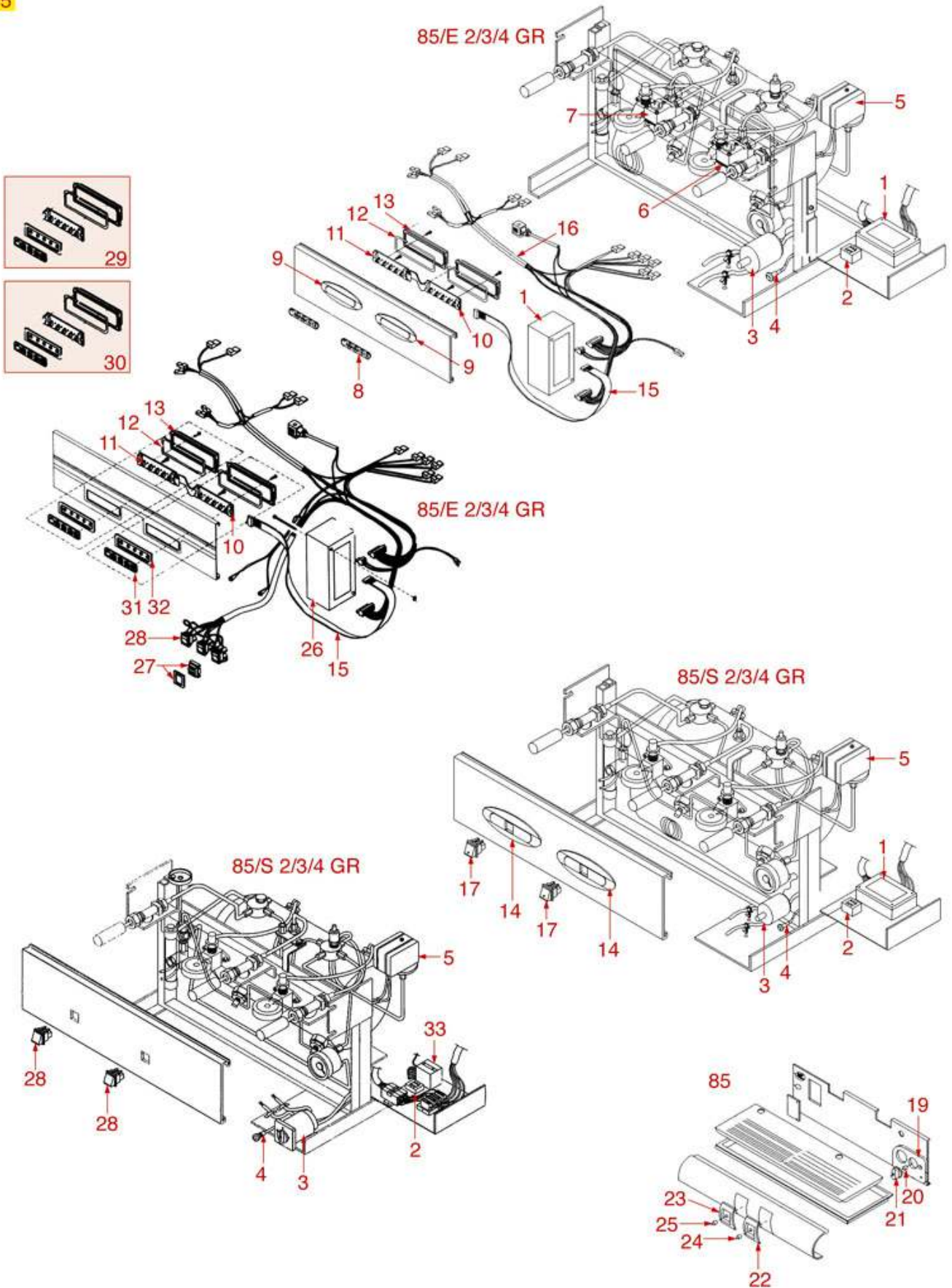


Position	LF code no.	Description
1	1054401	DOSING CONTROL BOX 2-3-4 GROUPS 230V
1	1054402	DOSER CONTROL BOX 2-3-4 GROUPS 230V
1	1054403	DOSING CONTROL BOX 2-3-4 GROUPS 230V
6	1444509	THREE-PHASE THERMOSTAT 169°C
8	1320531	PRESSURE SWITCH P302/6 3-POLES 30A
14	1319807	SELECTOR SWITCH 0-2 POSITIONS 32A 600V
15	1241449	SELECTOR SWITCH KNOB
16	1221003	RED INDICATOR LAMP 24V
18	1319257	PUSH-BUTTON PANEL BOARD 1 BUTTON
19	1319258	PUSH-BUTTON PANEL MEMBRANE 1 BUTTON
22	1319575	PUSH-BUTTON PANEL BOARD 6 BUTTONS
23	1319573	PUSH-BUTTON PANEL MEMBRANE 6 BUTTONS
25	1319576	PUSH-BUTTON PANEL BOARD 15 BUTTONS
26	1319574	PUSH-BUTTON PANEL MEMBRANE 3 BUTTONS
31	1319265	PUSH-BUTTON PANEL MEMBRANE 3 BUTTONS
32	1319267	WATER PUSH-BUTTON PANEL SUPPORT
33	1244006	PLATE FOR WATER PUSH-BUTTON PANEL
34	1319268	WHITE BIPOLAR SWITCH 16A 250V
35	1319266	PUSH-BUTTON SUPPORT
36	1319269	SWITCH BUTTON
37	1244005	CHROME-PLATED COVER PLATE
38	1244007	PLATE FOR PUSH-BUTTON
39	1244004	CHROME-PLATED GROUP COVER PLATE
41	1319254	PUSH-BUTTON PANEL 7 BUTTONS
42	1319270	PUSH-BUTTON PANEL MEMBRANE 7 BUTTONS
44	1244003	PLATE FOR PUSH-BUTTON PANEL
50	1054020	DOSER CONTROL BOX 1 GROUP 230V 50Hz
51	1054015	DOSER CONTROL BOX 2-3-4 GROUPS 230V
53	1057018	SELECTOR SWITCH 0-2 POSITIONS 16A 250V



ELECTRIC EQUIPMENT AND PUSH BUTTONS 85

85



SM3102

Positions without LF code no.: upon request



SAN MARCO



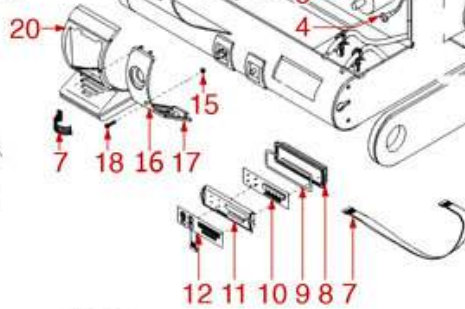
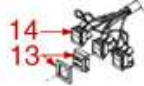
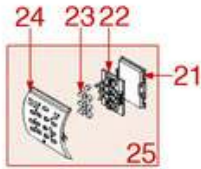
Position	LF code no.	Description
1	1054017	DOSER CONTROL BOX 1-2 GROUPS 230V
2	1444509	THREE-PHASE THERMOSTAT 169°C
3	1319807	SELECTOR SWITCH 0-2 POSITIONS 32A 600V
4	3221537	RED INDICATOR LAMP 240V
5	1320531	PRESSURE SWITCH P302/6 3-POLES 30A
7	1455067	VOLUMETRIC FLOWMETER GICAR
8	1319255	PUSH-BUTTON PANEL DIAPHRAGM 5 BUTTONS
9	1319256	PLATE FOR PUSH-BUTTON PANEL
17	3319296	BLACK BIPOLAR SWITCH 16A 250V
18	1054024	DOSER CONTROL BOX 1-2-3-4 GR 230V
19	1319011	MAIN SWITCH PLATE
21	1241448	SELECTOR SWITCH KNOB
22	1244001	PLATE FOR PIEZO IGNITER
23	1244002	PLATE FOR GAS TAP
27	3319501	SWITCH PROTECTION CAP
28	3319029	GREEN BIPOLAR SWITCH 16A 250V
29	1319556	PUSH-BUTTON PANEL 5 BUTTONS
30	1319557	PUSH-BUTTON PANEL 5 BUTTONS
31	1319558	PUSH-BUTTON PANEL MEMBRANE - 5 BUTTONS
33	1054567	LEVEL REGULATOR RL30/1E/2C/F 230/240V



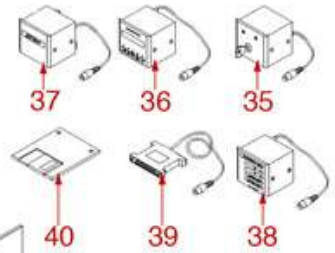
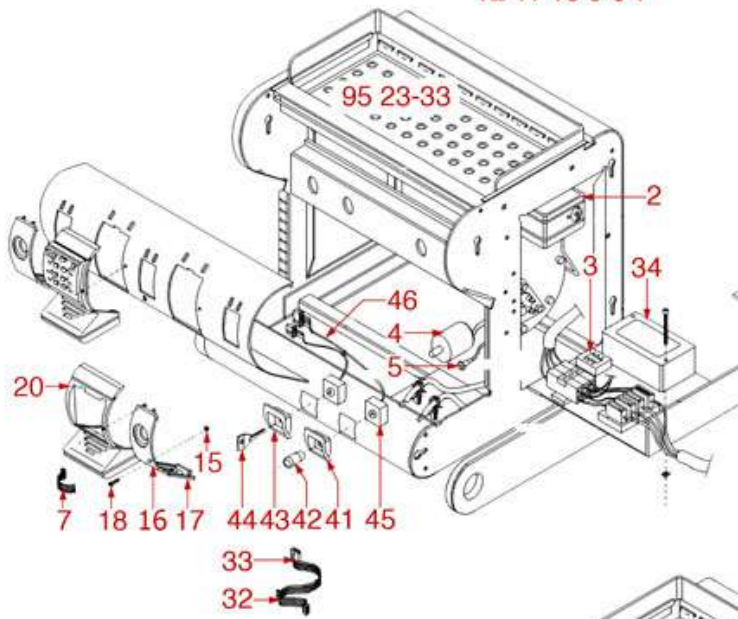
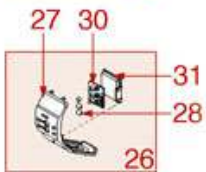
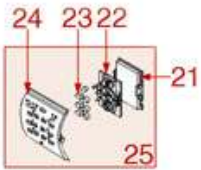
ELECTRIC EQUIPMENT AND PUSH BUTTONS 95

95

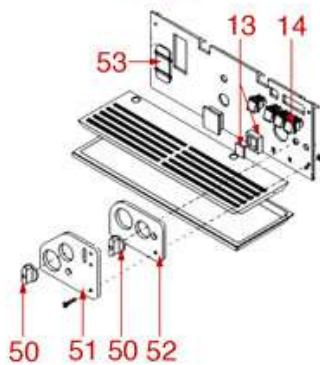
95 PRACTICAL E / SPRINT E / 22-26-32-36



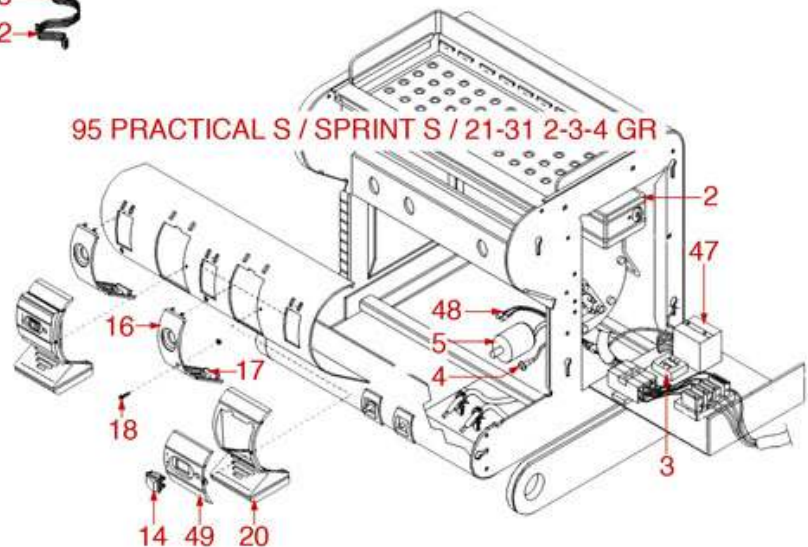
95 23-33



ALL



95 PRACTICAL S / SPRINT S / 21-31 2-3-4 GR



SM3202

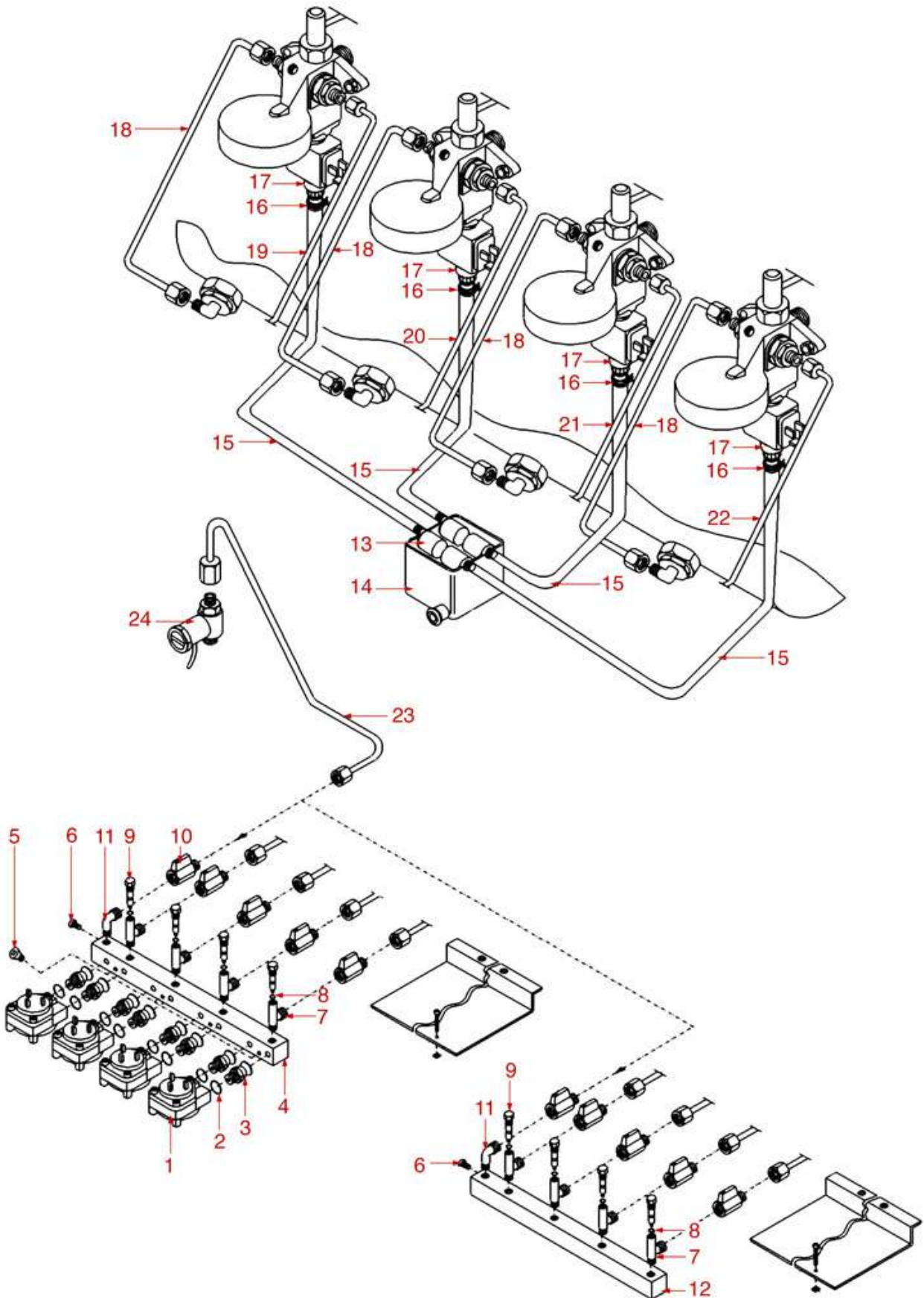


SAN MARCO



Position	LF code no.	Description
1	1054016	DOSER CONTROL BOX 1-2 GROUPS 230V
2	1320531	PRESSURE SWITCH P302/6 3-POLES 30A
3	1444509	THREE-PHASE THERMOSTAT 169°C
4	3221537	RED INDICATOR LAMP 240V
5	1319807	SELECTOR SWITCH 0-2 POSITIONS 32A 600V
9	1319119	PUSH BUTTON PANEL BOX GASKET
13	3319501	SWITCH PROTECTION CAP
14	3319029	GREEN BIPOLAR SWITCH 16A 250V
16	1201587	WATER/STEAM TAP COVER
17	1201588	WATER/STEAM HOLE COVER
20	1201586	GROUP COVER T1 FOR 95
21	1319572	BOX FOR PUSH-BUTTON PANEL
22	1319555	PUSH-BUTTON PANEL 7 BUTTONS
23	1319566	COFFEE DELIVERY BUTTONS KIT
24	1319568	COFFEE DOSING BUTTONS SUPPORT 95
26	1319553	PUSH-BUTTON PANEL 3 BUTTONS
27	1319569	DISPLAY BUTTONS SUPPORT + TEA
27	1319570	TEA BUTTONS SUPPORT
28	1319567	WATER DELIVERY BUTTONS KIT
29	1319138	PUSH-BUTTON PANEL BOARD 4 BUTTONS
30	1319135	PUSH-BUTTON PANEL BOARD 3 BUTTONS
31	1319118	BOX FOR PUSH-BUTTON PANEL
41	1244001	PLATE FOR PIEZO IGNITER
43	1244002	PLATE FOR GAS TAP
47	1054567	LEVEL REGULATOR RL30/1E/2C/F 230/240V
47	1054568	LEVEL REGULATOR B924 220V
49	1319571	SWITCH SUPPORT
50	1241448	SELECTOR SWITCH KNOB
51	1201008	SPRINT SWITCH PLATE
52	1319011	MAIN SWITCH PLATE
53	1201015	LEVEL PLATE 88x46 mm

HYDRAULIC SYSTEM





SAN MARCO



Position	LF code no.	Description
1	1455067	VOLUMETRIC FLOWMETER GICAR
2	1186223	O-RING 02056 EPDM
3	1349088	FITTING \varnothing 1/4" FOR VOLUMETRIC
7	1349087	"T" FITTING \varnothing 1/8"M-1/8"M-M8 F
8	1186365	"O" RING 02012 EPDM
9	1500003	PLUG WITH JET AND FILTER
10	3526244	BALLCOCK VALVE \varnothing 1/4"M-1/8"F
13	1015005	DRAIN TANK CONVEYOR
14	1015004	DRAIN TANK
15	1449688	SILICONE HOSE \varnothing 8x14 SHORE 60 - 10 m
24	1348753	NON-RETURN VALVE



Suitable for:

Suitable for:

Ball valves and accessories

3526244 BALLCOCK VALVE \varnothing 1/4" M-1/8" F
for Coffee machine (SAN MARCO) 105 - 95



SAN MARCO 202244

3526697 BALLCOCK VALVE \varnothing 1/8" MF
for Coffee machine (SAN MARCO) NEW 105 - 100 - 105
85 - 95



SAN MARCO 202241

Bearings

1199062 BEARING 6001 ZZ NSK
external \varnothing 28mm - internal \varnothing 12mm - thickness 8mm
for Coffee machine (FIORENZATO C.S.)
PIAZZA SAN MARCO
for Coffee machine (SAN MARCO) LEVA
for Coffee machine (VIBIEMME) REPLICA



SAN MARCO 202019

Boiler safety valves

1523543 BOILER VALVE \varnothing M18x1.5 AUTO-CERTIFIED
calibration pressure 1,8 bar
steam release 6.3 Kg/h
for Coffee machine (SAN MARCO) - Series OLD



SAN MARCO

1523534 BOILER VALVE \varnothing 1/4" M
stainless steel - new model
internal PTFE coating - or viton
for Coffee machine (ASTORIA CMA) ARGENTA - DIVINA
for Coffee machine (AZKOYEN) AZ04 - BRAVO - VIENNA
for Coffee machine (BEZZERA) ELLISSE
for Coffee machine (CARIMALI) ECO - UNO
for Coffee machine (CONTI) CLUB - TWIN STAR2
XEOS2
for Coffee machine (ECM MANUFACTURE) MECHANIKA
TECHNIKA III
for Coffee machine (ECM) GIOTTO - MICHELANGELO
RAFFAELLO - VENEZIANO
for Coffee machine (ESSIKA) SK2 - SSK2
for Coffee machine (FAEMA) DUEA - ELITE - EXPRESS
E61 - E64 - E66 - E91 - E92 - P4 - P6



SAN MARCO 202199



Suitable for:

1523537 BOILER VALVE \varnothing 1/4" M

stainless steel - old model
 or viton
 for Coffee machine (CARIMALI) CENTO50
 for Coffee machine (FRACINO) CHERUB - HEAVENLY
 RETRO
 for Coffee machine (SANREMO) CAPRI - VENEZIA



SAN MARCO 202199

Suitable for:

1523572 BOILER VALVE \varnothing 3/8" M - 1,8 bar CE/PED

calibration pressure 1,8 bar
 steam drain flow rate 77 Kg/h
 viton PTFE seal
 operating range -20/+200°C
 certified valve CE/PED
 for GAGGIA GE-GD-XE-XD-E90-D90-LCD
 for Coffee machine (NUOVA SIMONELLI) MACCUP



SAN MARCO 205426

1515100 BOILER VALVE \varnothing 3/8" M 1.8bar CE-PED

calibration pressure 1.8 bar
 steam outlet capacity 6.3 Kg/h
 for Coffee machine (ASTORIA CMA) ARGENTA - DIVINA
 for Coffee machine (AZKOYEN) AZ04 - BRAVO - VIENNA
 for Coffee machine (BEZZERA) ELLISSE
 for Coffee machine (CIMBALI) M15 - M20 - M27 - M30
 for Coffee machine (EXPOBAR) EXPRESSO
 MINICOMPACT-MOULIN - MINICOMPACT-1GRUPPO
 MINICOMPACT-2GRUPPI - MONROC - OFFICE
 for Coffee machine (FAEMA) DUEA - ELITE - EXPRESS
 E61 - E64 - E66 - E91 - E92 - P4 - P6
 for Coffee machine (FIORENZATO C.S.) MURANO
 for Coffee machine (SAN MARCO) NS85
 for Coffee machine (WEGA) AIRY - ANTARES - ATLAS
 NOVA - ORION - POLARIS



SAN MARCO

Booster pumps

1330012 ROTARY VANE PUMP PROCON \varnothing 3/8" NPT

clamp connection
 flow rate 200 l/h
 equipped with balanced bypass
 connection \varnothing 3/8" conical NPT
 for Coffee machine (ASTORIA CMA) ARGENTA - BRAVA
 COMPACT - DIVINA
 for Coffee machine (BEZZERA) ELLISSE
 for Coffee machine (GAGGIA) DECO - GD - GE - XD
 XE
 for Coffee machine (WEGA) CONCEPT



SAN MARCO

1349100 PUMP CONNECTION \varnothing 3/8" CONIC-3/8" STRAIGH

3/8" CONICAL(NPT)-3/8" STRAIGHT
 for Coffee machine (CIMBALI) M21 JUNIOR - M27
 M27 2008 - M28 - M30 - M32 BISTRO
 for Coffee machine (CONTI) XEOS2
 for Coffee machine (FAEMA) E98 PRESIDENT
 for Coffee machine (FIORENZATO C.S.) BRICOLETTA
 DUCALE - FENICE - LIDO - PIAZZA SAN MARCO
 VENEZIA - VOLANTE
 for Coffee machine (GRIMAC) G11





Suitable for:

1168011 STAINLESS STEEL CLAMP FOR FLANGE PUMP
for Coffee machine (VIBIEMME) CHIMAERA - CUBO
DOSAPLUS - EVOLUTION - KOMETA - LOLLO
MERCURY - MINIMAX - REPLICA - REVOLUTION
SILVER



SAN MARCO 202180

1330021 ROTARY VANE PUMP ROTOFLOW ø 3/8" GAS
clamp connection
flow rate 50 L/h
with balanced bypass
length 74 mm
fitting ø 3/8" gas
N.S.F. approved



SAN MARCO

1330002 ROTARY VANE PUMP ROTOFLOW ø 3/8" NPT
clamp connection
flowrate 200 L/h
equipped with balanced bypass
NSF approved
PA204
for Coffee machine (ASTORIA CMA) ARGENTA - BRAVA
COMPACT
for Coffee machine (AZKOYEN) AZ04 - VIENNA
for Coffee machine (FIAMMA RST) ATLANTIC
PRESTIGE
for Coffee machine (FRACINO) BAMBINO
for Coffee machine (SANREMO) AMALFI - CAPRI
MILANO LX - PISA - TORINO - VERONA - ZOE



SAN MARCO 202001

1168011 STAINLESS STEEL CLAMP FOR FLANGE PUMP
for Coffee machine (VIBIEMME) CHIMAERA - CUBO
DOSAPLUS - EVOLUTION - KOMETA - LOLLO
MERCURY - MINIMAX - REPLICA - REVOLUTION
SILVER



SAN MARCO 202180

SAN MARCO



Suitable for:

1349100 PUMP CONNECTION ø 3/8" CONIC-3/8" STRAIGH
3/8" CONICAL (NPT) - 3/8" STRAIGHT
for Coffee machine (CIMBALI) M21 JUNIOR - M27
M27 2008 - M28 - M30 - M32 BISTRO
for Coffee machine (CONTI) XE052
for Coffee machine (FAEMA) E98 PRESIDENT
for Coffee machine (FIORENZATO C.S.) BRICOLETTA
DUCALE - FENICE - LIDO - PIAZZA SAN MARCO
VENEZIA - VOLANTE
for Coffee machine (GRIMAC) G11





Suitable for:

SAN MARCO



Suitable for:

Cappuccino makers - Cappuccinatore

1079016 PLASTIC CAPPUCCINATORE BOY ø 3/8"
swivelling



SAN MARCO 106496

SAN MARCO 800073

1186902 O-RING 0108 - RED SILICONE
for steam tap DELONGHI machines
for Coffee machine (DELONGHI) ECAM26.455.C



Caps

1439019 INLET TAP CAP ø 18 mm
for Coffee machine (SAN MARCO) LEVA - NEW 105
100 - 105 - 85 - 95



SAN MARCO 205100

Circlips

1348326 SPRING RING RA-7 UNI 7437
in lega di ferro zincata
ø esterno 14,3 mm - spessore 0,9 mm
UNI 7434 - DIN 6799



SAN MARCO 204063

1250116 STAINLESS STEEL CIRCLIP J-48 UNI 7437
in lega di ferro zincata - ø esterno 51,5 mm
UNI 7437 - DIN 472



SAN MARCO 204135

1348817 STAINLESS STEEL CIRCLIP RA-4 UNI 7437



SAN MARCO 204017

1186295 STAINLESS STEEL CIRCLIP RA-8 UNI 7437
in lega di ferro zincata
ø esterno 16,3 - spessore 1 mm
UNI 7434 - DIN 6799



SAN MARCO 204316



Suitable for:

Suitable for:

Clamps

- 1168011 STAINLESS STEEL CLAMP FOR FLANGE PUMP**
 for Coffee machine (VIBIEMME) CHIMAERA - CUBO
 DOSAPLUS - EVOLUTION - KOMETA - LOLLO
 MERCURY - MINIMAX - REPLICA - REVOLUTION
 SILVER



SAN MARCO 202180

Coffee filters

- 1160610 ADAPTER FILTER F/COFFEE PODS EP S.MARCO**
 for bottomless filter holders specifically used
 for the machine type
 food-safe certified
 for Coffee machine (SAN MARCO)



SAN MARCO

- 1165191 BOTTOMLESS FILTER HOLDER SAN MARCO**
 wings 7 mm



SAN MARCO

- 1160287 BLIND FILTER**
 for Coffee machine (SAN MARCO) EUROPA95 - NS85



SAN MARCO 202115

- 1160273 FILTER 1-CUP 7 GRAMS**



SAN MARCO 202116

- 1160270 FILTER 2 CUPS 14 gr NEW TYPE**
 height 25 mm
 for Coffee machine (SAN MARCO) EUROPA95 - NS85



SAN MARCO 202117

- 1460108 PRECISION FILTER 1 CUP 6/8 g H25**
 round holes with conic section
 Aisi 304 stainless steel -food safe certified
 matching tamper \varnothing 53 mm
 for COFFEE MACHINES
 DALLACORTE-GRUPPOZZO-SANMARCO



SAN MARCO



SAN MARCO



Suitable for:

1460109 PRECISION FILTER 2 CUPS 12/18 g H26
round holes with conic section
Aisi 304 stainless steel - food safe certified
matching tamper ø 53 mm
for COFFEE MACHINES
DALLACORTE-GRUPPOIZZO-SANMARCO



SAN MARCO

Suitable for:

1160033 1 CUP FILTER 6 gr



SAN MARCO 202108

1160044 1 CUP FILTER 9 gr



SAN MARCO 202119

1160271 1-CUP FILTER 8 gr
for Coffee machine (SAN MARCO) EUROPA95 - NS85



SAN MARCO 202110

1160274 2 CUP FILTER 16 g



SAN MARCO 202114

1160133 2 CUPS FILTER 12 gr



SAN MARCO 202112

1160045 2 CUPS FILTER 18 gr



SAN MARCO 202121

1160046 2 CUPS FILTER 21 gr



SAN MARCO 202118

Coffee groups

1192011 CHROMIUM-PLATED FORK FOR LEVER GROUP



SAN MARCO 502032

1192012 CHROMIUM-PLATED FORK FOR LEVER GROUP



SAN MARCO 502024



SAN MARCO



Suitable for:

1186132 COMPRESSION BUSHING
for brew group



SAN MARCO 205551

Suitable for:

1449571 DRAIN PIPE
for brew group
for Coffee machine (SAN MARCO) 85 - 95



SAN MARCO

1449570 DRAIN PIPE \varnothing 1/8" Fx64 mm
for brew group



SAN MARCO 205751

1449372 DRAIN PIPE \varnothing 13 mm
for brew group



SAN MARCO 205258

1349073 GASKET HOLDER BUSHING
for brew group



SAN MARCO 205164

1186120 GASKET HOLDER BUSHING
for brew group



SAN MARCO 205060

1202001 GROUP INFUSER
for Coffee machine (SAN MARCO) NEW105 - 100 - 105
85 - 95



SAN MARCO 206142

SAN MARCO 206272

1225013 INFUSION CONTROL LEVER
for brew group



SAN MARCO 502030

1346506 SLIDING BUSHING \varnothing 5x10 mm
for brew group



SAN MARCO 205175

1523420 SPRING GUIDE BUSHING
for brew group



SAN MARCO 205027



Suitable for:

SAN MARCO



Suitable for:

Coffee measuring spoons

1069001 PLASTIC MEASURING SPOON 20 ml



SAN MARCO 106017

Drain tanks

1015004 DRAIN TANK
dimensions 85x75x55 mm
for Coffee machine (SAN MARCO) NEW 105 - 100 - 105



SAN MARCO 106490

1015005 DRAIN TANK CONVEYOR
for Coffee machine (SAN MARCO) NEW 105 - 100 - 105



SAN MARCO 106483

1527511 DRAIN TUB
dimensions 78x68 mm - connection \varnothing 15 mm
for Coffee machine (BFC) CLASSICA - DELUX
GALILEO - GRANDOGE - IMOLA - LA VITTORIA
LIRA - MARANELLO - MONZA - OPERA
for Coffee machine (BIANCHI) SOFIA
for Coffee machine (FIORENTINO C.S.) DUCALE
FENICE - LIDO - PIAZZA SAN MARCO - VENEZIA
VOLANTE
for Coffee machine (GRIMAC) G11
for Coffee machine (ROYAL) DIADEMA - SYNCHRO
for Coffee machine (SAN MARCO) LEVA - 85 - 95
for Coffee machine (VICTORIA ARDUINO) VENUSBAR
VENUSCENTURY



SAN MARCO 106056

Electronic boxes

1054020 DOSER CONTROL BOX 1 GROUP 230V 50Hz
for Coffee machine (SAN MARCO) 100PRACTICALE



SAN MARCO 108651

1054016 DOSER CONTROL BOX 1-2 GROUPS 230V
for Coffee machine (SAN MARCO) 95PRACTICAL/E
95SPRINT/E



SAN MARCO 108412



SAN MARCO



Suitable for:

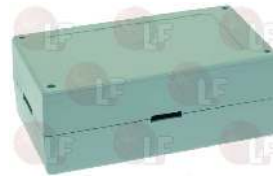
1054017 DOSER CONTROL BOX 1-2 GROUPS 230V
for Coffee machine (SAN MARCO) 85PRACTICAL/E
85SPRINTE



SAN MARCO 108541

Suitable for:

1054024 DOSER CONTROL BOX 1-2-3-4 GR 230V
for Coffee machine (SAN MARCO) 85PRACTICALS - 85S



SAN MARCO 108543

1054015 DOSER CONTROL BOX 2-3-4 GROUPS 230V
for Coffee machine (SAN MARCO) 100E - 100SPRINTE



SAN MARCO 108652

1054402 DOSER CONTROL BOX 2-3-4 GROUPS 230V
for Coffee machine (SAN MARCO) 105S



SAN MARCO 108754

5004515 DOSING CONTROL BOX 2 GROUPS 230V
for Coffee machine (SAN MARCO) 95/22



SAN MARCO 108409

5033150 DOSING CONTROL BOX 1-2-3 GROUPS 230V
for Coffee machine (SAN MARCO) 100S



SAN MARCO 108650

1054401 DOSING CONTROL BOX 2-3-4 GROUPS 230V
for Coffee machine (SAN MARCO) 105D



SAN MARCO 108783

1054403 DOSING CONTROL BOX 2-3-4 GROUPS 230V
for Coffee machine (SAN MARCO) 105E



SAN MARCO 108755

5030943 DOSING CONTROL BOX 3-4 GROUPS 230V
for Coffee machine (SAN MARCO) 85E



SAN MARCO 108542



Suitable for:

SAN MARCO



Suitable for:

Filter holder gaskets

1186786 FILTER HOLDER GASKET \varnothing 64x52.5x5.5 mm
with external cuts
for Coffee machine (SAN MARCO) LEVA - 100 - 105
105 NEW - 85 - 95



SAN MARCO 109130

1186851 FILTER HOLDER GASKET \varnothing 64x52.5x5.5 mm
with external cuts
for Coffee machine (SAN MARCO) LEVA - 100 - 85
95



SAN MARCO 109011

Filter holders for coffee machines

1165159 BARLEY POD FILTER HOLDER SAN MARCO
flow regulation by
the knob rotation
wings 8 mm



SAN MARCO

1165165 BARLEY/COFFEE PODS FILTER HOLDER SAN MAR
wings 7.4 mm



SAN MARCO

1165191 BOTTOMLESS FILTER HOLDER SAN MARCO
wings 7 mm



SAN MARCO

1160024 FILTER HOLDER SAN MARCO
spout connection \varnothing 3/8" - handle connection M10
wings 7.4 mm - inclined
for Coffee machine (SAN MARCO) 105



SAN MARCO 502750

1165051 FILTER HOLDER SAN MARCO
spout connection \varnothing 3/8" - handle connection M10
wings 7.4 mm
for Coffee machine (SAN MARCO) EUROPA95 - LEVA
NS85 - 85 - 95



SAN MARCO 502034

1165080 1 CUP FILTER HOLDER ASSEMBLY SAN MARCO
spouts connection \varnothing 3/8" - handle connection M10
wings 7,4 mm - without spring nor filter
for Coffee machine (SAN MARCO) EUROPA95 - LEVA
NS85 - 85 - 95



SAN MARCO 400154



Suitable for:

Suitable for:

- 1165021 2 CUPS FILTER HOLDER ASSEMBLY SAN MARCO**
spout connection \varnothing 3/8" - handle connection M10
wings 7.4 mm - spring and filter not included
for Coffee machine (SAN MARCO) EUROPA95 - LEVA
NS85 - 85 - 95



SAN MARCO 400154

Filter locking springs

- 1250101 FILTER BLOCKING SPRING \varnothing 1,00 mm INOX**



SAN MARCO 200056

Filters

- 1160023 STAINLESS STEEL WATER FILTER \varnothing 11x2 mm**



SAN MARCO 202232

Filters and showers KITS

- 1460901 PRECISION KIT FOR SAN MARCO GROUP**
including:
1 filter 1 cup 6/8 g 1460108
1 filter 2 cups 12/18 g 1460109
1 integrated membrane shower screen 1460210
1 wire membrane shower screen 1460212



SAN MARCO



Suitable for:

SAN MARCO



Suitable for:

Fittings

1349087 "T" FITTING \varnothing 1/8" M-1/8" M-M8 F
for Coffee machine (SAN MARCO) NEW 15 - 100 - 105 95



SAN MARCO 206282

1349039 ADJUSTMENT FITTING
for Coffee machine (SAN MARCO) LEVA - 105 - 85 95



SAN MARCO 205299

1349088 FITTING \varnothing 1/4" FOR VOLUMETRIC
for Coffee machine (SAN MARCO) NEW 105 - 100 - 105 95



SAN MARCO 206235

1349102 FITTING \varnothing 1/4" M-1/4" M



SAN MARCO 205203

SAN MARCO 206193

SAN MARCO 206196

1349484 FITTING \varnothing 3/4"



SAN MARCO 205053

1349202 FITTING 3/8M-3/8M
with filter lodging
for Coffee machine (ASTORIA CMA) ARGENTA - CK
CKE - CKX - CKXE - DIVINA - DORA - GLORIA
GLORIA R12 - PERLA 4D - PRATIC - PRATIC NEW
RAPALLO - RAPALLO AL - SIBILLA
for Coffee machine (EXPOBAR) DIAMANT - EB61 - ELEN
G10 - MARKUS - MARKUS SILVER - MEGACREM
MONROC - NEW ELEGANCE - OFFICE
for Coffee machine (MCE) START
for Coffee machine (ORCHESTRALE) ETNICA - PHONICA
for Coffee machine (SAN MARCO) LEVA - NEW 105
100 - 105 - 85 - 95
for Coffee machine (WEGA) AIRY - ATLAS - COLOSSEUM
COMBI NOVA - ESPRESSA - EURO 2000
FORMULA MILANO - JUNIOR - MININOVA - NOVA



SAN MARCO 206255

1349397 GROUP FITTING
for Coffee machine (SAN MARCO) NEW 105 - 100 - 105 95



SAN MARCO 206296

1349396 LOWER THERMAL FITTING
for Coffee machine (SAN MARCO) NEW 105 - 100 - 105 85 - 95



SAN MARCO 206214



Suitable for:

Suitable for:

1349395 UPPER THERMAL FITTING

ø 3/8" M-1/2" M
for Coffee machine (SAN MARCO) NEW 105 - 100 - 105
85 - 95



SAN MARCO 206213

Flowmeters

1455033 CONNECTOR FEMALE SMALL

for volumetric flowmeter
for Coffee machine (AZKOYEN) AZ04 - BRAVO - VIENNA
for Coffee machine (BEZZERA) ELLISSE
for Coffee machine (CIMBALI) M15 - M20 - M27 - M30
for Coffee machine (EXPOBAR) EXPRESSO
MINICOMPACT - MONROC - OFFICE
for Coffee machine (FAEMA) COMPACT - DUEA - ELITE
EXPRESS - E92



SAN MARCO

1455032 IMPELLER GICAR

for Coffee machine (AZKOYEN) AZ04 - BRAVO - VIENNA
for Coffee machine (BEZZERA) ELLISSE
for Coffee machine (CIMBALI) M15 - M20 - M27 - M30
for Coffee machine (EXPOBAR) EXPRESSO
MINICOMPACT - MONROC - OFFICE
for Coffee machine (FAEMA) COMPACT - DUEA
EXPRESS - E92



SAN MARCO 108305

3455333 VOLUMETRIC FLOWMETER COVER

for Coffee machine (AZKOYEN) AZ04 - BRAVO - VIENNA
for Coffee machine (BEZZERA) ELLISSE
for Coffee machine (CIMBALI) M15 - M20 - M27 - M30
for Coffee machine (EXPOBAR) EXPRESSO
MINICOMPACT - MONROC - OFFICE
for Coffee machine (FAEMA) COMPACT - DUEA
EXPRESS - E92



SAN MARCO

1455067 VOLUMETRIC FLOWMETER GICAR

connections ø 1/4" FF - orifice 1.15 mm - NSF
for Coffee machine (ASTORIA CMA) ARGENTA - BRAVA
CALYPSO - CK - CKE - CKX - CKXE - DENISE
DIVINA - DORA - GLORIA - GLORIA R12 - LISA
PERLA 4D - PLUS4YOU - PRATIC - PRATIC NEW
SIBILLA - TANYA - VANIA
for Coffee machine (AZKOYEN) AZ04 - BRAVO - VIENNA
for Coffee machine (BEZZERA) BZ35 - BZ40 - B2000
B2006 - B2009 COMPACT - B2013 - B3000 - B4000
B6000 - C2013 COMPACT - EBBIS - ELLISSE
GALATEA - PROEX - VERTICALE
for Coffee machine (BFC) CLASSICA - DELUX
GALILEO - GRANDOGE - IMOLA - JUNIOR
LA VITTORIA - LIRA - MARANELLO - MONZA - OPERA
for Coffee machine (CARIMALI) CENTO50



SAN MARCO 108192



Suitable for:

SAN MARCO



Suitable for:

Gas taps and accessories

3348044 PIPE OLIVE \varnothing 10 mm
for model PEL 20 - 21



SAN MARCO 205013

Gas valves and accessories

3523002 VALVE M1 \varnothing 1/4"MM
inlet \varnothing 1/4"MM - outlet \varnothing 1/4"MM
thermocouple connection M8x1
maximum gas inlet pressure 150 mbar
room temperature 0÷80°C
with thread under the button for ring nut



SAN MARCO 202078

3182002 MAGNETIC UNIT SIT
 \varnothing head 15 mm - \varnothing end 10 mm - length 43 mm
for valve SIT M1



3523006 NUT M12x1 FOR M1 VALVE



3523007 RING NUT M12x1 FOR M1 VALVE



Gaskets and seals

1186112 ASBESTOS FREE FLAT GASKET \varnothing 15x10x1 mm



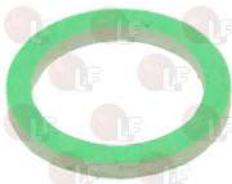
SAN MARCO 109077

1186148 ASBESTOS FREE FLAT GASKET \varnothing 15x7x2 mm
for Coffee machine (SAN MARCO) 85SPRINT



SAN MARCO 109085

1186784 ASBESTOS FREE FLAT GASKET \varnothing 17.5x13x2 mm



SAN MARCO 109097

1186149 ASBESTOS FREE FLAT GASKET \varnothing 22x18x2 mm



SAN MARCO 109005



SAN MARCO



Suitable for:

1186368 ASBESTOS FREE FLAT GASKET \varnothing 23.5x20x1 mm
for Coffee machine (SAN MARCO) 85SPRINT - 95SPRINT



SAN MARCO 109079

Suitable for:

1186136 ASBESTOS FREE FLAT GASKET \varnothing 29x22x2 mm



SAN MARCO 109061

1186141 ASBESTOS FREE FLAT GASKET \varnothing 34x26.5x2 mm



SAN MARCO 109078

1186125 ASBESTOS FREE FLAT GASKET \varnothing 50x38x4 mm



SAN MARCO

1186156 ASBESTOS FREE FLAT GASKET \varnothing 50x40x2 mm
for Coffee machine (SAN MARCO) 85SPRINT - 95SPRINT



SAN MARCO

1186145 BLIND GASKET \varnothing 13x3 mm



SAN MARCO 109069

1186787 CONICAL PTFE SEAL \varnothing 10x4x6 mm
for brew group exchanger



SAN MARCO 106151

1186370 CONICAL PTFE SEAL \varnothing 12.5x7x5.5 mm
for water/steam inlet tap
for Coffee machine (SAN MARCO) 85SPRINT - 95SPRINT



SAN MARCO 109049

1186286 CONICAL PTFE SEAL \varnothing 12x8x4 mm
for water/steam tap



SAN MARCO 109050

1186372 CONICAL PTFE SEAL \varnothing 14.5x10.5x4.5 mm
for water/steam pipe
for Coffee machine (SAN MARCO) 85SPRINT - 95SPRINT



SAN MARCO 109091



SAN MARCO



Suitable for:

1186103 CONICAL PTFE SEAL \varnothing 15.5x7x4 mm
for lever brew group



SAN MARCO 109021

Suitable for:

1186785 CONICAL PTFE SEAL \varnothing 16x20 mm
for steam pipe



SAN MARCO 109125

1186620 COPPER FLAT GASKET \varnothing 22x17x1.5 mm
for Coffee machine (SANREMO) AMALFI - CAPRI
MILANO LX - PISA - TORINO - VENEZIA - VERONA
ZOE



SAN MARCO

1186316 EPDM FLAT GASKET \varnothing 15x4x4 mm 60 SH
for Coffee machine (ASTORIA CMA) ARGENTA



SAN MARCO 109059

1186369 EPDM FLAT GASKET \varnothing 15x5.5x4 mm
for Coffee machine (GAGGIA) D90 - E90
for Coffee machine (SAN MARCO) 85SPRINT - 95SPRINT



SAN MARCO 109024

1186282 EPDM FLAT GASKET \varnothing 16.5x6x4 mm



SAN MARCO 109023

1186637 FLAT CARBO GASKET \varnothing 56x47x3 mm
universal carbo
for heating element
for Coffee machine (SAN MARCO) 85



SAN MARCO 109081

1186150 FLAT EPDM GASKET \varnothing 13x7.4x7 mm



SAN MARCO 109013

1186111 FLAT EPDM GASKET \varnothing 14x4x4 mm



SAN MARCO 109051

1186527 FLAT EPDM GASKET \varnothing 15x4x4 mm 80 SH



SAN MARCO



Suitable for:

1186135 FLAT FELT GASKET



SAN MARCO 109040

Suitable for:

1186311 NBR FLAT GASKET \varnothing 13x4x4 mm
for Coffee machine (FAEMA) DUE - E91 - E92
NOSTOP
for Coffee machine (VIBIEMME) CHIMAERA - EVOLUTION
LOLLO - REPLICIA - REVOLUTION



SAN MARCO 109051

1186201 PTFE FLAT GASKET \varnothing 21x16.8x2 mm
for Coffee machine (CARIMALI) ETABETA
for Coffee machine (RANCILIO) CLASSE10 - EPOCA



SAN MARCO

1186290 PTFE FLAT GASKET \varnothing 27x21x2 mm



SAN MARCO 109106

1186281 PTFE FLAT GASKET \varnothing 28x23x2 mm



SAN MARCO 109061

1186361 PTFE FLAT GASKET \varnothing 34x27x2 mm



SAN MARCO 109078

1186608 PTFE FLAT GASKET \varnothing 50x40x2 mm
for heating element



SAN MARCO 109100

1186994 PTFE FLAT GASKET \varnothing 50x40x5.5 mm
trapezium-shaped
for SANMARCO LEVEL GROUP



SAN MARCO 109008

1186140 ROUND COPPER GASKET \varnothing 24x18.4x2 mm



SAN MARCO 109096



Suitable for:

SAN MARCO



Suitable for:

Gaskets for coffee group

1186521 COFFEE GROUP GASKET 95x45 mm
free of asbestos
for Coffee machine (SAN MARCO) NEW 105 - 100 - 105
85 - 95



SAN MARCO 109070

1186285 GROUP GASKET \varnothing 51x19x1 mm
universal carbo
for shower holder diffuser
for Coffee machine (SAN MARCO) EUROPA95SPRINT
NS85SPRINT



SAN MARCO

1186284 GROUP GASKET \varnothing 87x75x5.8 mm
for Coffee machine (SAN MARCO) FCS - LEVA



SAN MARCO 109045

Gaskets for coffee machine boiler

1186565 BOILER GASKET \varnothing 131x123x3 mm
PTFE
for Coffee machine (SAN MARCO) 105 - 85
95 PRACTICAL



SAN MARCO 109099

1186566 BOILER GASKET \varnothing 165x150x3 mm
PTFE
for Coffee machine (SAN MARCO) LEVA - NEW 105
100 - 105 - 85 - 95
for Coffee machine (VIBIEMME) CUBO - DOSA PLUS
REPLICA - SILVER



SAN MARCO 109073

Handles for filterholder-portafilter

1241107 ANTHRACITE KNOB FOR FILTER HOLDER M10



SAN MARCO 106488

1241105 BLACK KNOB FOR FILTER HOLDER M10



SAN MARCO 106055



SAN MARCO



Suitable for:

1241502 FILTER HOLDER HANDLE M10



SAN MARCO

Suitable for:

1241169 FILTER HOLDER HANDLE M12
for Coffee machine (FIAMMA RST) ATLANTIC - MARINA
MINIBAR - PRESTIGE



SAN MARCO

1241501 FILTER HOLDER HANDLE M12
for Coffee machine (BEZZERA) ELLISSE
for Coffee machine (BRASILIA) CENTURY - GRADISCA
PORTOFINO
for Coffee machine (PAVONI) BAR - BART
for Coffee machine (SANREMO) AMALFI - CAPRI
MILANO LX - VENEZIA



SAN MARCO

1241504 FILTER HOLDER HANDLE M12



SAN MARCO

1241269 FILTER HOLDER KNOB M10
CA



SAN MARCO

1141006 FILTER HOLDER KNOB M10 SOFT



SAN MARCO

5051751 FILTERHOLDER KNOB WHITE M10



SAN MARCO

5054505 KNOB F.FILTERHOLDER M12 RED POLISHED



SAN MARCO

1241103 LEVER GROUP HANDLE
for Coffee machine (SAN MARCO) LEVA



SAN MARCO 106005

1241507 RED FILTER HOLDER HANDLE M12



SAN MARCO



Suitable for:

5054506 RED FILTER HOLDER KNOB M10 POLISHED



SAN MARCO

5051102 WHITE FILTER HOLDER KNOB M12



SAN MARCO

1141003 WOODEN FILTER HOLDER HANDLE M12



SAN MARCO

Suitable for:

1241104 SATIN BLACK KNOB FOR FILTER HOLDER M10



SAN MARCO 106502

1141004 WOODEN FILTER HOLDER HANDLE M10



SAN MARCO

Heat exchangers

1169011 CARTRIDGE 2 GROUPS



SAN MARCO 507099

1449308 THERMAL PIPE \varnothing 3/4"
overall length 190 mm - \varnothing 50 mm



SAN MARCO 507320

1449379 THERMAL PIPE \varnothing 1/2"
overall length 190 mm - \varnothing 60 mm
for Coffee machine (SAN MARCO) NEW 105 - 100 - 105
95-31



SAN MARCO 400166

1449109 THERMAL PIPE \varnothing 1/2"
overall length 192 mm - \varnothing 50 mm
for 2-3-4 GROUPS
for Coffee machine (SAN MARCO) 100E - 100S - 85E
85S - 95-21 - 95-22 - 95-23 - 95-26



SAN MARCO 507440



Suitable for:

Suitable for:

1449113 THERMAL PIPE \varnothing 1/2"
total length 124 mm - \varnothing 50 mm
for Coffee machine (SAN MARCO) 105COMPACT
85SPRINT - 95PRACTICAL - 95SPRINT



SAN MARCO 507430

Heating elements

1755196 HEATING ELEMENT 1000W 220V
immersed length 205 mm - 2 poles
fitting \varnothing 10 mm
for 1 group machines



SAN MARCO

1755197 HEATING ELEMENT 1300W 220V
immersed length 380 mm - 2 poles
fitting \varnothing 10 mm
for coffee machines with 2 groups
for Coffee machine (SAN MARCO) NS85



SAN MARCO

1755781 HEATING ELEMENT 1750W 110V
immersed length 120 mm - 2 poles
distance between flange holes 61 mm
flange 82x82 mm
for Coffee machine (SAN MARCO) 85 PRACTICALE
85PRACTICALS



SAN MARCO 108245A

1755203 HEATING ELEMENT 1750W 220V
immersed length 125 mm - 2 poles
distance between flange holes 61 mm
flange 82x82 mm
for Coffee machine (SAN MARCO) 85 PRACTICALE
85 PRACTICALS



SAN MARCO 108245

1186637 FLAT CARBO GASKET \varnothing 56x47x3 mm
universal carbo
for heating element
for Coffee machine (SAN MARCO) 85



SAN MARCO 109081



SAN MARCO



Suitable for:

1755198 HEATING ELEMENT 1850W 220V
immersed length 515 mm - 2 poles
connection \varnothing 10 mm
for coffee machines with 3 groups



SAN MARCO

Suitable for:

1755784 HEATING ELEMENT 2000W 230V
immersed length 180 mm - 2 poles
distance between the holes 59 mm
with bulb sheath - flange 75x50 mm
for Coffee machine (SAN MARCO) NEW 105 PRACTICALE
NEW 105 PRACTICALS - 100 PRACTICALE
100 PRACTICALS - 105 - 95 PRACTICALE
95 PRACTICALS



SAN MARCO 108414

SAN MARCO 108414B

SAN MARCO 108459

1755201 HEATING ELEMENT 3000W 230/400V
immersed length 375 mm - 6 pins
distance between fixing holes 62 mm
with thermostat probe receptacle - flange 82x82 mm
for 2-4 groups coffee machines
for Coffee machine (SAN MARCO) LEVA - NEW 105
100 - 105 - 85 - 95



SAN MARCO 108143

1186637 FLAT CARBO GASKET \varnothing 56x47x3 mm
universal carbo
for heating element
for Coffee machine (SAN MARCO) 85



SAN MARCO 109081

1755114 HEATING ELEMENT 3000W 230V
immersed length 375 mm - 4 poles
distance between the holes 62 mm
with bulb sheath - flange 82x82 mm
for coffee machines with 2-4 groups
for Coffee machine (SAN MARCO) LEVA - 100 - 105
105 NEW - 85 - 95



SAN MARCO 108461

1755785 HEATING ELEMENT 3000W 230V
immersed length 335 mm - 4 poles
distance between the holes 60 mm
with bulb sheath - flange 75x50 mm
for Coffee machine (SAN MARCO) 100SPRINT
105COMPACT - 85SPRINT - 95SPRINT



SAN MARCO 108350

SAN MARCO 108350B

SAN MARCO 108460

1755126 HEATING ELEMENT 3500W 230/400V
immersed length 375 mm - 6 poles
distance between the holes 62 mm
with bulb sheath - flange 82x82 mm
for coffee machines with 2-4 groups
for Coffee machine (SAN MARCO) LEVA - 100 - 105
105 NEW - 85 - 95



SAN MARCO 108630

SAN MARCO 108630B

1755105 HEATING ELEMENT 4000W 230V
immersed length 550 mm - 4 poles
distance between the holes 61 mm
with bulb sheath - flange 82x82 mm
for Coffee machine (SAN MARCO) LEVA - 100 - 105
105 NEW - 85 - 95



SAN MARCO 108462



Suitable for:

Suitable for:

1755783 HEATING ELEMENT 4500W 230/400V
 immersed length 330 mm - 6 poles
 distance between the holes 59 mm
 flange 75x50 mm
 for Coffee machine (SAN MARCO) SPRINT



SAN MARCO 108351

1755202 HEATING ELEMENT 4500W 230V
 immersed length 545 mm - 6 poles
 distance between the holes 62 mm
 with bulb sheath - flange 82x82 mm
 for coffee machines with 3 groups
 for Coffee machine (SAN MARCO)
 LEVA - NEW 105 - 100 - 105 - 85 - 95
 for Coffee machine (SAN MARCO) 100E



SAN MARCO 108141

1186637 FLAT CARBO GASKET \varnothing 56x47x3 mm
 universal carbo
 for heating element
 for Coffee machine (SAN MARCO) 85



SAN MARCO 109081

1755106 HEATING ELEMENT 5500W 230/400V
 immersed length 560 mm - 6 poles
 distance between the holes 61 mm
 with bulb sheath - flange 82x82 mm
 for Coffee machine (SAN MARCO) LEVA - NEW 105
 100 - 105 - 85 - 95



SAN MARCO 108632

SAN MARCO 108632B

Hydraulic plumbing

1449500 PTFE PIPE \varnothing 2x4 mm - 10 m
 alimentary



SAN MARCO 507134

1449688 SILICONE HOSE \varnothing 8x14 SHORE 60 - 10 m
 alimentary



SAN MARCO 107029



Suitable for:

Suitable for:

1449288 SILICONE HOSE \varnothing 8x14 SHORE 60 - 100 m
alimentary



SAN MARCO 107029

Ignitors

3001007 PIEZO IGNITER
a \varnothing 22 mm hole is needed for the assembly
2.4 mm \varnothing male faston connector



SAN MARCO 108500

Injectors

1501582 COMPLETE NOZZLE
for brew group
for Coffee machine (SAN MARCO) 85



SAN MARCO 400167

1501006 NOZZLE GROUP
for Coffee machine (SAN MARCO) 95 PRACTICAL



SAN MARCO 602000

1501583 NOZZLE GROUP
for Coffee machine (SAN MARCO) NEW 105 - 100 - 105
85 PRACTICAL - 85 SPRINT - 95 PRACTICAL
95 SPRINT



SAN MARCO 206199

1500002 NOZZLE M5x1
for brew group
for Coffee machine (SAN MARCO) 85



SAN MARCO 205037

1500003 PLUG WITH JET AND FILTER
for hydraulic plant
for Coffee machine (SAN MARCO) NEW 105 - 100 - 105
95



SAN MARCO 206300



Suitable for:

Suitable for:

Ironmongery (screws,nuts,washers)

1528142 BRASS NUT



SAN MARCO 205123

1348025 BRASS NUT M3
ottone - UNI 5587 - ISO 4033



SAN MARCO 203022

1186992 BRASS WASHER \varnothing 15x7x0.8 mm



SAN MARCO 205081

3526129 CLASP \varnothing 3x14 mm
UNI 6873 - DIN 1481 - ISO 8752



SAN MARCO 204016

1528516 CUT HEAD SCREW M5x12 UNI 6107
inox - impronta a taglio
UNI 6107 - DIN 84 - ISO 1207
for Coffee machine (PAVONI) BART



SAN MARCO 204061

SAN MARCO 204116

1348049 ELASTIC CLASP \varnothing 4x20 mm
UNI 6873 - DIN 1481 - ISO 8752



SAN MARCO 204060

1186462 FLAT BRASS WASHER \varnothing 12x8x2 mm



SAN MARCO 205305

3528003 HEXAGONAL NUT MID M4 - 100 PIECES
brass - UNI 5588 - DIN 934 - ISO 4032



SAN MARCO 203021

3528213 HEXAGONAL NUT MID M5
st./steel - UNI 5588 - DIN 934 - ISO 4032



SAN MARCO 203043

1349481 MANUAL COFFEE GROUP FITTING
for Coffee machine (SAN MARCO) FCS



SAN MARCO 205252



SAN MARCO



Suitable for:

1455034 S/S SCREW T.C.C.E.I M4x10 UNI 5931
inox - con cava esagonale
UNI 5931 - DIN 912 - ISO 4762



SAN MARCO

1528622 S/S SCREW T.E. M8x16 UNI 5739 DIN 24017
inox - UNI 5739 - DIN 933 - ISO 4017



SAN MARCO 204167

1528026 SCREW M8x1 mm UNI 5931
inox - con cava esagonale
UNI 5931 - DIN 912 - ISO 4762



SAN MARCO 204075

1528030 ST.STEEL HEXAGONAL NUT M6 UNI 5588
inox - UNI 5588 - DIN 934 - ISO 4032



SAN MARCO 203023

9528001 STAINLESS STEEL SCREW T.E.M10x25 UNI5739
inox - UNI 5739 - DIN 933 - ISO 4017



SAN MARCO 204079

Suitable for:

1184006 S/S SCREW T.C.C.E.I. M4x12 UNI 7984
inox - con cava esagonale
UNI 9327 - DIN 7984



SAN MARCO 204074

1528023 S/STEEL CROSS SCREW M5x16 mm UNI 7688
impronta a croce - inox
UNI 7688 - DIN 965 - ISO 7046
for Coffee machine (BEZZERA) ELLISSE
for Coffee machine (FAEMA) COMPACT - DUE - DUEA
ELITE - EXPRESS - E61 - E91 - E92



SAN MARCO

1528011 SHOWER SCREW M5x20
impronta a croce - inox
UNI 7688 - DIN 965 - ISO 7046
for Coffee machine (CIMBALI) M27 - M30
for Coffee machine (SAN MARCO) EUROPA95 - NS85
SPRINT



SAN MARCO 204083

1186142 ST.STEEL WASHER \varnothing 23x15x0.5 mm



SAN MARCO 205584

1528523 STAINLESS STEEL TIE ROD F. LEVEL



SAN MARCO 400062



Suitable for:

Suitable for:

1349487 TAP FITTING
for Coffee machine (SAN MARCO) LEVA - 100 - 85
95



SAN MARCO 205007

Knobs

1241441 BREWING GROUP HANDLE
M10x1
for Coffee machine (FAEMA) E61



SAN MARCO 106020

1241446 CUP WARMER KNOB



SAN MARCO 106064

1225035 INLET TAP LEVER
for Coffee machine (SAN MARCO) 105 - 85



SAN MARCO 106412

1241061 INLET TAP LEVER
for Coffee machine (SAN MARCO) 95



SAN MARCO 106107

1241515 INLET TAP LEVER



SAN MARCO 106007

1241516 INLET TAP LEVER
for Coffee machine (SAN MARCO) EUROPA95 - NS85
SPRINT



SAN MARCO 106072

1241448 SELECTOR SWITCH KNOB



SAN MARCO 106108

SAN MARCO 406108

1241449 SELECTOR SWITCH KNOB
for Coffee machine (SAN MARCO) 105



SAN MARCO 106413



Suitable for:

1241102 WATER/STEAM TAP KNOB
for Coffee machine (SAN MARCO) 100



SAN MARCO 106708

Suitable for:

1241442 WATER/STEAM TAP KNOB
for Coffee machine (SAN MARCO) LEVA - 85 - 95



SAN MARCO 106026

1241450 WATER/STEAM TAP KNOB
for Coffee machine (SAN MARCO) 105



SAN MARCO 106414

Lamps

1221037 RED INDICATOR LAMP 230V
head \varnothing 7 mm - hole \varnothing 5,5 mm
for Coffee machine (BEZZERA) BZ09 - B6000 - EBBIS
ELLISSE - ELLISSE AL - ELLISSE NEW - GALATEA



SAN MARCO P114

1221003 RED INDICATOR LAMP 24V
head \varnothing 10 mm - hole \varnothing 9 mm
for Coffee machine (CIMBALI) M21 - M28 - M29 - M30
M31 - M32 - M39
for Coffee machine (SAN MARCO) 105



SAN MARCO 108747

3221537 RED INDICATOR LAMP 240V
head \varnothing 13 mm - hole \varnothing 10 mm - 120°C
wire connection length 200 mm
for Coffee machine (SAN MARCO) LEVA - 100 - 85
95
for Coffee machine (SPINEL) DUETTOLUX - ESSE
ESSELUX - MINIMINI - RONDOLUX - UNOLUX



SAN MARCO 108015



Suitable for:

Suitable for:

Level balls

1323001 RED LEVEL BALL \varnothing 5.8 mm

for Coffee machine (ASTORIA CMA)
for Coffee machine (CIMBALI) M15 - M20 - M25 - M27
M30
for Coffee machine (FAEMA) COMPACT - DUE - EXPRESS
E91 - E92 - E97 - E98 - SPECIAL - SUPERSTAR
SUPERTRONIC
for Coffee machine (PAVONI) BART
for Coffee machine (WEGA) AIRY - ANTARES - ATLAS
NOVA - ORION - POLARIS - START



SAN MARCO 106480

1323416 STAINLESS STEEL BALL \varnothing 10 mm

for Coffee machine (CONTI) CLASSICA - HYDROMATIC
PISTOMATIC - VOLUTRONIC - XEOS
for Coffee machine (GAGGIA) D90 - E90



SAN MARCO 202013

1323601 STAINLESS STEEL BALL \varnothing 6 mm



SAN MARCO 202235

Level gauges

1520001 LEVEL GLASS \varnothing 15x115 mm



SAN MARCO 206910

1520566 LEVEL GLASS \varnothing 30x110 mm

for Coffee machine (SAN MARCO) NS85 - SPRINT



SAN MARCO 104002

1201014 LEVEL PLATE 82x30 mm

for Coffee machine (SAN MARCO) 105



SAN MARCO 106411

1201015 LEVEL PLATE 88x46 mm

for Coffee machine (SAN MARCO) 85 - 95



SAN MARCO 106071

1201585 LEVEL PLATE 90x50 mm

for Coffee machine (SAN MARCO) NS85



SAN MARCO



Suitable for:

SAN MARCO



Suitable for:

Level regulators

1054568 LEVEL REGULATOR B924 220V
for Coffee machine (SAN MARCO) 95PRACTICAL
95SPRINT



SAN MARCO 108456

1054567 LEVEL REGULATOR RL30/1E/2C/F 230/240V
230/240V 50/60Hz
for Coffee machine (SAN MARCO) 95



SAN MARCO 108055

Level sensors

1341012 LEVEL PROBE \varnothing 1/4" M-85 mm
for Coffee machine (SAN MARCO) NEW 105 - 100 - 105
85 - 95



SAN MARCO 202237

1341014 LEVEL PROBE \varnothing 3/8" M-142 mm
for Coffee machine (SAN MARCO) LEVA - 105 - 85
95



SAN MARCO 400124

Lip seals

1186123 LIP SEAL \varnothing 50x31x10 mm



SAN MARCO 109014

Microswitches

3240123 MICROSWITCH 16A 250V
for Coffee machine (FAEMA) ELITE - ENOVA - STYLEMA
for Coffee machine (SAECO) RIOPROFI - VIAVENEZIA



SAN MARCO 108230

SAN MARCO 108482

1240836 MICROSWITCH 20A 380V



SAN MARCO 108034



Suitable for:

SAN MARCO



Suitable for:

Motors

1240702 MOTOR RPM WITH CLAMP CONNECTION 165W

model 11002728
power 165W 220V 50Hz
capacitor 10 μ f
for rotary vane pump
for Coffee machine (ASTORIA CMA) ARGENTA - BRAVA
COMPACT - DIVINA
for Coffee machine (BRASILIA) CADETTA - CENTURY
CLASSICA - DECURTIS - EXCELSIOR - FIRENZE
GRADISCA - PORTOFINO - ROMA - 100 - 105 - 205
210
for Coffee machine (CIMBALI) M20 - M27 - M30
for Coffee machine (FAEMA) E98COMPACT
for Coffee machine (FUTURMAT-ARIETE) ARIETE - E61
RIMINI
for Coffee machine (GAGGIA SPAGNA) NERA



SAN MARCO

1168011 STAINLESS STEEL CLAMP FOR FLANGE PUMP

for Coffee machine (VIBIEMME) CHIMAERA - CUBO
DOSAPLUS - EVOLUTION - KOMETA - LOLLO
MERCURY - MINIMAX - REPLICA - REVOLUTION
SILVER



SAN MARCO 202180

1240703 MOTOR RPM WITH CLAMP CONNECTION 165W

model 11002755
power 165W 220V 50Hz
capacitor 10 μ f
with connection box
for rotary vane pump
for Coffee machine (ASTORIA CMA) ARGENTA - BRAVA
COMPACT - DIVINA
for Coffee machine (GRIMAC) ZOLAI - ZOLAI



SAN MARCO

1240706 MOTOR RPM WITH CLAMP CONNECTION 300W

model C0084.06
power 300W 230V 50Hz
capacitor 6 μ f
for rotary vane pump
for Coffee machine (SAN MARCO) LEVA - NEW 105
PREZIOSA - 100 - 105 - 85 - 95



SAN MARCO 108201

1240708 RPM MOTOR WITH CLAMP CONNECT. 150W 230V

model C010709
power 150W 230V 50/60Hz
capacitor 6 μ f
for volumetric pump
for Coffee machine (SANREMO) AMALFI - CAPRI
MILANO LX - PISA - TORINO - VENEZIA - VERONA
ZOE



SAN MARCO



Suitable for:

SAN MARCO



Suitable for:

Non-return and expansion valves

1523561 EXPANSION VALVE \varnothing 1/4" M 10-14 bar
 for Coffee machine (BFC) BUTTERFLY - CARMEN
 EROICA - IRIS - NORMA
 for Coffee machine (BRASILIA) BELLEEPOQUE
 for Coffee machine (FAEMA) DUEA - E61 - E64 - E66
 E91 - E92 - P4 - P6
 for Coffee machine (PAVONI) BAR - BART - PUB
 for Coffee machine (SAN MARCO) 85
 for Coffee machine (SPAZIALE) NEW - PROFESSIONALE
 RAPID - SELETRON PLUS - SPAZIO - SUPER 3000
 S1 - S2 - S3 - S5 - S5 COMPACT - S8
 S8 COMPACT - S9 - S9 COMPACT



SAN MARCO

1523701 NON-RETURN VALVE \varnothing 3/8" M-3/8" M
 for Coffee machine (EXPOBAR) EB61 - ELEN - G10
 MARKUS - MARKUS SILVER - MEGACREM - MONROC
 NEW ELEGANCE
 for Coffee machine (FAEMA) DUEA - E61 - E64 - E66
 E91 - E92 - P4 - P6
 for Coffee machine (FIOREZZATO C.S.)
 PIAZZA SAN MARCO
 for Coffee machine (FUTURMAT-ARIETE) PALANCA
 for Coffee machine (GAGGIA SPAGNA) PALANCA
 for Coffee machine (GAGGIA) D90 - E90
 for Coffee machine (ITALCREM) PALANCA
 for Coffee machine (MAIRALI) PALANCA
 for Coffee machine (PAVONI) BAR - BART - PUB
 for Coffee machine (SAN MARCO) LEVA - NEW 105
 100 - 105 - 85 - 95



SAN MARCO 202201

1523424 NON-RETURN VALVE \varnothing 1/8" M
 for Coffee machine (SAN MARCO) LEVA



SAN MARCO 205029

SAN MARCO 400075

SAN MARCO 502033

OR and ORM gaskets

1186365 "O" RING O2012 EPDM



SAN MARCO 109109

1186292 GASKET OR 0130 SILICONE



SAN MARCO

3186015 O-RING GASKET OR 0178 EPDM
 for SANMARCO LEVER BREW GROUP
 for Coffee machine (SAN MARCO)



SAN MARCO

1786009 O-RING GASKET 0178 RED SILICONE
 for SANMARCO LEVER BREW GROUP
 for Coffee machine (SAN MARCO)



SAN MARCO 109045



SAN MARCO



Suitable for:

Suitable for:

1186304 O-RING 0112 EPDM

3243086 O-RING 0117 EPDM



SAN MARCO 109115

SAN MARCO 109114

1186414 O-RING 0119 EPDM

1186763 O-RING 0171 EPDM



SAN MARCO 109046

SAN MARCO 109103

1186421 O-RING 02018 EPDM
for Coffee machine (BRASILIA)

1186611 O-RING 02025 RED SILICONE
for Coffee machine (AZKOYEN)
for Coffee machine (BEZZERA) ELLISSE
for Coffee machine (BRASILIA) CENTURY - FIRENZE
GRADISCA - PORTOFINO
for Coffee machine (CARIMALI) ETABETA
for Coffee machine (CONTI) CLUB - TWIN STAR2
XEOS2
for Coffee machine (ESSIKA) SK2 - SSK2
for Coffee machine (EXPOBAR) EXPRESSO
MINICOMPACT - MONROC - OFFICE
for Coffee machine (FAEMA) COMPACT - DUE - DUEA
ELITE - E61 - E91 - E92
for Coffee machine (FIORENZATO C.S.) MURANO
for Coffee machine (RENEKA) LC - VIVA - VIVAS
XLPALLAS



SAN MARCO 109108

SAN MARCO 109047



Suitable for:

Suitable for:

1186612 O-RING 02025 VITON
 for Coffee machine (AZKOYEN)
 for Coffee machine (BEZZERA) ELLISSE
 for Coffee machine (BRASILIA) CENTURY - PORTOFINO
 for Coffee machine (CONTI) CLUB - TWIN STAR2
 XEOS2
 for Coffee machine (ECM MANUFACTURE) CASA
 ELEKTRONIKA II PROFI
 for Coffee machine (ECM) GIOTTO - LAURA
 MICHELANGELO - RAFFAELLO - VENEZIANO
 for Coffee machine (ESSIKA) SK2 - SSK2
 for Coffee machine (EXPOBAR) EXPRESSO
 MINICOMPACT - MONROC - OFFICE
 for Coffee machine (FAEMA) COMPACT - DUE - DUEA
 EXPRESS - E61 - E91 - E92
 for Coffee machine (FIORENTATO C.S.) MURANO

1186411 O-RING 02031 EPDM



SAN MARCO

SAN MARCO 109017

1186223 O-RING 02056 EPDM
 for Coffee machine (NUOVA SIMONELLI) MACCUP
 OPTIMA

1186631 O-RING 02112 VITON
 for Coffee machine (AZKOYEN) AZ04 - BRAVO - VIENNA
 for Coffee machine (BEZZERA) ELLISSE
 for Coffee machine (CIMBALI) M15 - M20 - M27 - M30
 for Coffee machine (EXPOBAR) EXPRESSO
 MINICOMPACT - MONROC - OFFICE
 for Coffee machine (FAEMA) COMPACT - DUEA - ELITE
 EXPRESS - E92



SAN MARCO 109116

SAN MARCO 800027

3186181 O-RING 03068 EPDM

1186356 O-RING 03075 EPDM
 for Coffee machine (BRASILIA) GRADISCA
 for Coffee machine (CIMBALI) M15 - M20 - M25 - M27
 M30
 for Coffee machine (FAEMA) COMPACT - EXPRESS
 SPECIAL - SUPERSTAR - SUPERTRONIC



SAN MARCO

SAN MARCO

3243142 O-RING 04118 EPDM

1186796 RED SILICONE O-RING 03087



SAN MARCO

SAN MARCO 109113



Suitable for:

Suitable for:

Paper seals

1190101 PAPER SEAL \varnothing 64x53x0.7 mm
for Coffee machine (SAN MARCO) EUROPA95 - NS85



SAN MARCO

Pins

1324080 DRAIN FORK PIN



SAN MARCO 205180

1186138 GASKET HOLDER PIN
for brew group



SAN MARCO 205201

1324111 LEVER SPINDLE FOR TAP



SAN MARCO 4000041

SAN MARCO 502004

1324017 PIN FOR BEARING



SAN MARCO 202016

1324082 PIN FOR VALVE



SAN MARCO 205130

1324014 STAINLESS STEEL PIN



SAN MARCO 205166

1324079 TAP LEVER PIN \varnothing 6x26 mm



SAN MARCO 205096

1324081 TAP SPINDLE



SAN MARCO 205094

1324501 TAP SPINDLE



SAN MARCO 206941

1324083 TOP GROUP PIN



SAN MARCO 205165



Suitable for:

SAN MARCO



Suitable for:

Pipes for coffee machines

1449381 BOILER LEVEL LOWER PIPE
for Coffee machine (SAN MARCO) 85 - 95



SAN MARCO

1449382 BOILER LEVEL LOWER PIPE
for Coffee machine (SAN MARCO) 85 - 95



SAN MARCO 400067

1449112 EXCHANGER ASSEMBLY PIPE
for Coffee machine (SAN MARCO) 105COMPACT-1GRUPPO
85SPRINT - 95PRACTICAL - 95SPRINT



SAN MARCO 507406

1449115 EXCHANGER ASSEMBLY PIPE
for Coffee machine (SAN MARCO) 85PRACTICAL
95-21/22/23/26



SAN MARCO 507404

1449120 EXCHANGER ASSEMBLY PIPE
for Coffee machine (SAN MARCO) 105COMPACT
85SPRINT - 95PRACTICAL - 95SPRINT



SAN MARCO 507405

1449121 EXCHANGER ASSEMBLY PIPE
for Coffee machine (SAN MARCO) 100E - 100PRACTICAL
100S - 100SPRINT - 105PRACTICAL - 105SPRINT



SAN MARCO 507515

1449374 EXCHANGER ASSEMBLY PIPE
for Coffee machine (SAN MARCO) 85-OLD MODEL
95-OLD MODEL



SAN MARCO 507095

1449375 EXCHANGER ASSEMBLY PIPE
for Coffee machine (SAN MARCO) 85-OLD MODEL
95-OLD MODEL



SAN MARCO 507096

1449378 EXCHANGER ASSEMBLY PIPE
for Coffee machine (SAN MARCO) 100 - 105 - 85 - 95



SAN MARCO 507403

1449389 EXCHANGER ASSEMBLY PIPE
for Coffee machine (SAN MARCO) NEW 105
NEW 105PRACTICAL - NEW 105SPRINT - 100
100PRACTICAL - 100SPRINT - 105 - 85
95-31/32/36



SAN MARCO 507444



Suitable for:

Suitable for:

1449111 INJECTION PIPE \varnothing 1/4"M
length 86 mm
for Coffee machine (SAN MARCO) 105COMPACT
85SPRINT - 95 - 95PRACTICAL - 95SPRINT

1449376 INJECTION PIPE \varnothing 1/4"M
length 180 mm
for Coffee machine (SAN MARCO) 85 - 95



SAN MARCO 400115A

SAN MARCO 400071

SAN MARCO 400071B

1449377 INJECTION PIPE \varnothing 1/4"M
length 180 mm
for Coffee machine (SAN MARCO) 85 - 95

1449119 INJECTION PIPE \varnothing 1/8"M
length 175 mm
for Coffee machine (SAN MARCO) 100PRACTICAL
100SPRINT - 105PRACTICAL - 105SPRINT



SAN MARCO 400070

SAN MARCO 400070B

SAN MARCO 400459

1449390 INJECTION PIPE \varnothing 1/8"M
length 150 mm
for Coffee machine (SAN MARCO) 105 - 95-31/32/36

1449380 UPPER LEVEL-BOILER PIPE
for Coffee machine (SAN MARCO) 85 - 95



SAN MARCO 400071A

SAN MARCO 400064

Pressure gauges

1245661 BOILER-PUMP PRESSURE GAUGE \varnothing 63 mm
double scale 0÷3/0÷15 bar - connections \varnothing 1/8"M
rim \varnothing 70 mm - body \varnothing 63 mm
for Coffee machine (SAN MARCO) NS85 - SPRINT - 100
105 - 85 - 95



SAN MARCO 202102

SAN MARCO 202270



Suitable for:

SAN MARCO



Suitable for:

Pressure regulators

- 1350531 GAS REGULATOR DK 2 BAR ϕ 1/4"FF**
 for Coffee machine (ASTORIA CMA) ARGENTA - BRAVA
 DENISE - DIVINA - DORA - GLORIA - GLORIA R12
 LISA - PERLA 4D - PRATIC - VANIA
 for Coffee machine (BEZZERA) B2000 - B2000 AL
 B2006 - B2006 AL - B2013 - B3000 - B4000
 B6000 - EBBIS - EBBIS AL - ELLISSE
 ELLISSE AL
 for Coffee machine (BRASILIA) DECURTIS - PORTOFINO
 PORTOFINO LEVA - 100 - 105 - 205 - 210
 for Coffee machine (FAEMA) DUE - E91 - E97 - E98
 for Coffee machine (NUOVA SIMONELLI) MAC 2000
 MACDIGIT - PROGRAM - PROGRAMVIP
 for Coffee machine (SAN MARCO) LEVA - 105 - 85
 95
 for Coffee machine (VICTORIA ARDUINO) ATHENA LEVA



SAN MARCO 202043

Pressure switches

- 1320533 MEMBRANE KIT FOR PRESSURE SWITCH**
 model P302-6 ϕ 55 mm
 for Coffee machine (AZKOYEN) AZ04 - BRAVO - VIENNA
 for Coffee machine (BEZZERA) ELLISSE
 for Coffee machine (CIMBALI) M15 - M20 - M27 - M30
 for Coffee machine (FAEMA) COMPACT - DUE - DUEA
 EXPRESS - E64 - E66 - E91 - E92 - P4 - P6
 for Coffee machine (RENEKA) LC - VIVA - VIVAS
 XL-PALLAS



SAN MARCO

- 1320531 PRESSURE SWITCH P302/6 3-POLES 30A**
 CE-SEV-ASE-UL approved
 ISO 228 G connection 1/4" M for pipe ϕ 4x6 mm
 adjustable scale 0.5 ÷ 1.4 bar
 fixed differential 0.15 (j 0.06) bar
 fluid temperature max :140°C
 max contact load : 220V 7KW (30A)
 400V 12KW (30A)
 for Coffee machine (AZKOYEN) AZ04 - BRAVO - VIENNA
 for Coffee machine (BEZZERA) ELLISSE
 for Coffee machine (CIMBALI) M15 - M20 - M27 - M30
 for Coffee machine (FAEMA) COMPACT - DUE - DUEA
 EXPRESS - E64 - E66 - E91 - E92 - P4 - P6
 for Coffee machine (FIAMMA RST) ATLANTIC
 PRESTIGE
 for Coffee machine (FRACINO) BAMBINO - CHERUB



SAN MARCO 108007

Protection plates

- 1244005 CHROME-PLATED COVER PLATE**
 for Coffee machine (SAN MARCO) 100E - 100S



SAN MARCO 106707

- 1244004 CHROME-PLATED GROUP COVER PLATE**
 for Coffee machine (SAN MARCO) 100



SAN MARCO 106701

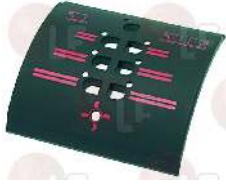


SAN MARCO



Suitable for:

1319568 COFFEE DOSING BUTTONS SUPPORT 95
for Coffee machine (SAN MARCO) 95



SAN MARCO 106120

Suitable for:

1319569 DISPLAY BUTTONS SUPPORT + TEA
for Coffee machine (SAN MARCO) 95



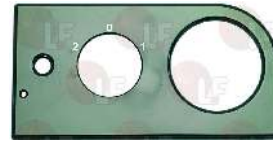
SAN MARCO 106128

1201586 GROUP COVER T1 FOR 95
for Coffee machine (SAN MARCO) 95



SAN MARCO 106127

1319011 MAIN SWITCH PLATE
for Coffee machine (SAN MARCO) LEVA - 85 - 95



SAN MARCO 106111

1244002 PLATE FOR GAS TAP
for Coffee machine (SAN MARCO) LEVA - 85 - 95



SAN MARCO 106115

1244001 PLATE FOR PIEZO IGNITER
for Coffee machine (SAN MARCO) LEVA - 85 - 95



SAN MARCO 106114

1244007 PLATE FOR PUSH-BUTTON
for Coffee machine (SAN MARCO) 100E - 100S



SAN MARCO 106706

1244003 PLATE FOR PUSH-BUTTON PANEL
for Coffee machine (SAN MARCO) 100



SAN MARCO 106700

1319256 PLATE FOR PUSH-BUTTON PANEL
for 1-2-3-4 GROUPS
for Coffee machine (SAN MARCO) 85E - 85S



SAN MARCO 106173

1244006 PLATE FOR WATER PUSH-BUTTON PANEL
for Coffee machine (SAN MARCO) 100E - 100S



SAN MARCO 506703



Suitable for:

1201008 SPRINT SWITCH PLATE
for Coffee machine (SAN MARCO) 95



SAN MARCO 106110

Suitable for:

1319571 SWITCH SUPPORT
for Coffee machine (SAN MARCO) 95



SAN MARCO 106119

1319570 TEA BUTTONS SUPPORT
for Coffee machine (SAN MARCO) 95



SAN MARCO 106129

1201588 WATER/STEAM HOLE COVER
for Coffee machine (SAN MARCO) 95



SAN MARCO 106118

1201587 WATER/STEAM TAP COVER
for Coffee machine (SAN MARCO) 95



SAN MARCO 106117

SAN MARCO 106117+106118

Rotary switches

1057018 SELECTOR SWITCH 0-2 POSITIONS 16A 250V
square pin 5x5 mm
for Coffee machine (SAN MARCO) NEW105E
NEW105PRACTICALE - NEW105PRACTICALS - NEW105S
NEW105SPRINTE - NEW105SPRINTS - 100E
100PRACTICALE - 100PRACTICALS - 100S
100SPRINTE - 100SPRINTS



SAN MARCO 108676

1319807 SELECTOR SWITCH 0-2 POSITIONS 32A 600V
square pin 5x5 mm
for Coffee machine (MARZOCCO) FB/70 - LINEA
for Coffee machine (RANCILIO) S20 - Z11
for Coffee machine (SAN MARCO) LEVA - 105 - 85E
85S - 95 21/31 - 95 23/33 - 95E - 95PRACTICALE
95PRACTICALS - 95S - 95SPRINTE - 95SPRINTS



SAN MARCO 108136B



Suitable for:

Suitable for:

Rubberpieces for steam-water taps

- 1186339 BURN PREVENTING PIPE HANDGRIP \varnothing 8 mm**
 for Coffee machine (CONTI) CLUB - TWIN STAR2
 XEOS2
 for Coffee machine (ESSIKA) SK2
 for Coffee machine (FAEMA) DUE - E91



SAN MARCO

Seals for level glasses

- 1186257 FLAT SILICONE GASKET**
 for level glass
 external \varnothing 20/17 mm - internal \varnothing 14 mm
 height 9,5/4 mm



SAN MARCO 109150

- 1186256 SILICONE FLAT GASKET \varnothing 31x19x3 mm**
 for level glass
 for Coffee machine (SAN MARCO) 85SPRINT



SAN MARCO 109015

Shower screens for brew group

- 1460210 PRECISION SHOWER SCREEN \varnothing 48 mm**
 central hole 5 mm - 63 holes \varnothing 3 mm
 Aisi 316 stainless steel - food-safe certified
 integrated membrane 200 μ M
 for Coffee machine (ASTORIA CMA) PLUS4YOU
 for Coffee machine (SAN MARCO)
 for Coffee machine (WEGA) CONCEPT



SAN MARCO

- 1460212 PRECISION SHOWER SCREEN \varnothing 48 mm**
 central hole 5 mm - 80 holes \varnothing 2 mm
 Aisi 304 stainless steel - food-safe certified
 wire membrane 35 μ M
 for Coffee machine (ASTORIA CMA) PLUS4YOU
 for Coffee machine (SAN MARCO)
 for Coffee machine (WEGA) CONCEPT



SAN MARCO



Suitable for:

1081053 SHOWER ø 50.5 mm
for Coffee machine (SAN MARCO) LEVA



SAN MARCO 202072

Suitable for:

1081041 SHOWER SCREEN ø 48 mm
for Coffee machine (ASTORIA CMA) PLUS4YOU
for Coffee machine (SAN MARCO) NEW105E
NEW105PRACTICALE - NEW105PRACTICALS - NEW105S
NEW105SPRINTE - NEW105SPRINTS - 100E
100PRACTICALE - 100PRACTICALS - 100S
100SPRINTE - 100SPRINTS - 105 - 85E
85PRACTICALE - 85PRACTICALS - 85S - 85SPRINTE
85SPRINTS - 95E - 95PRACTICALE - 95PRACTICALS
95S - 95SPRINTE - 95SPRINTS
for Coffee machine (WEGA) CONCEPT52



SAN MARCO 202011

SAN MARCO 202271

Showerholder diffusers

1086001 SHOWER HOLDER DIFFUSER
external ø 54 mm - height 12 mm - hole ø 5 mm
for Coffee machine (SAN MARCO) 105



SAN MARCO 206823

1086516 SHOWER HOLDER DIFFUSER
external ø 54 mm - height 12 mm - hole ø 5.5 mm
for Coffee machine (SAN MARCO) NEW105E
NEW105PRACTICALE - NEW105PRACTICALS - NEW105S
NEW105SPRINTE - NEW105SPRINTS - 100E
100PRACTICALE - 100PRACTICALS - 100S
100SPRINTE - 100SPRINTS - 85E - 85PRACTICALE
85PRACTICALS - 85S - 85SPRINTE - 85SPRINTS
95E - 95PRACTICALE - 95PRACTICALS - 95S
95SPRINTE - 95SPRINTS



SAN MARCO 205405

Solenoid valves

1120332 COIL LUCIFER/PARKER 220/240V 9W 50Hz
width 32 mm - height 38 mm
depth 43 mm
for Coffee machine (BEZZERA) ELLISSE
for Coffee machine (BRASILIA) CENTURY - PORTOFINO
for Coffee machine (CONTI) CLUB - TWIN STAR2
XEOS2
for Coffee machine (ESSIKA) SK2 - SSK2
for Coffee machine (FAEMA) COMPACT - DUEA
EXPRESS - E61 - E91
for Coffee machine (FIORENZATO C.S.) MURANO
for Coffee machine (PAVONI) BART
for Coffee machine (RANCILIO) EPOCA
for Coffee machine (RENEKA) LC - VIVA - VIVAS
XLPALLAS
for Coffee machine (SAN MARCO) EUROPA95 - NS85



SAN MARCO

3120032 COIL PARKER ZB09 9W 220/240V 50/60Hz
width 34 mm - height 33 mm
depth 43 mm
for Coffee machine (ASTORIA CMA)
for Coffee machine (BEZZERA) ELLISSE
for Coffee machine (BRASILIA) CENTURY - PORTOFINO
for Coffee machine (CONTI) CLUB - TWIN STAR2
XEOS2
for Coffee machine (ESSIKA) SK2 - SSK2
for Coffee machine (FAEMA) COMPACT - DUEA
EXPRESS - E61 - E91
for Coffee machine (FIORENZATO C.S.) MURANO
for Coffee machine (PAVONI) BART
for Coffee machine (RENEKA) LC - VIVA - VIVAS
XLPALLAS
for Coffee machine (VIBIEMME)



SAN MARCO



Suitable for:

3120033 COIL PARKER ZB09 9W 24V 50/60Hz
 width 34 mm - height 33 mm
 depth 43.5 mm
 for Coffee machine (FAEMA) COMPACT - DUE - DUEA
 EXPRESS - E61 - E91 - E92



SAN MARCO

Suitable for:

3120034 FEMALE LARGE CONNECTOR
 for coils



SAN MARCO

3120034 FEMALE LARGE CONNECTOR
 for coils



SAN MARCO

1120354 2-WAY SOLENOID VALVE PARKER 230V 50/60Hz
 VE146NV - fittings \varnothing 1/4"FF - max 10 bar
 VITON sealing - orifice \varnothing 2.5 mm
 with coil ZB09 9W 220/230V 50/60Hz
 fluid temperature -10°C +140°C
 for Coffee machine (GAGGIA) DECO - GD - GE - XD
 XE
 for Coffee machine (SAECO) AROMA



SAN MARCO 108035

SAN MARCO 108035C

3120032 COIL PARKER ZB09 9W 220/240V 50/60Hz
 width 34 mm - height 33 mm
 depth 43 mm
 for Coffee machine (ASTORIA) CMA
 for Coffee machine (BEZZERA) ELLISSE
 for Coffee machine (BRASILIA) CENTURY - PORTOFINO
 for Coffee machine (CONTI) CLUB - TWIN STAR2
 XEOS2
 for Coffee machine (ESSIKA) SK2 - SSK2
 for Coffee machine (FAEMA) COMPACT - DUEA
 EXPRESS - E61 - E91
 for Coffee machine (FIORENZATO C.S.) MURANO
 for Coffee machine (PAVONI) BART
 for Coffee machine (RENEKA) LC - VIVA - VIVAS
 XLPALLAS
 for Coffee machine (VIBIEMME)



SAN MARCO



Suitable for:

SAN MARCO



Suitable for:

1120334 3-WAY MECHANICAL COMPONENT LUCIFER
 E131F4304G - drain \varnothing 1/8" conical - max 10 bar
 RUBY seal - orifice \varnothing 1.5 mm
 fluid temperature -30°C+140°C
 for Coffee machine (BEZZERA) ELLISSE
 for Coffee machine (CONTI) CLUB - TWIN STAR2 XEOS2
 for Coffee machine (ESSIKA) SK2 - SSK2
 for Coffee machine (FAEMA) COMPACT - DUEA EXPRESS - E61 - E91 - E92
 for Coffee machine (FIORENZATO C.S.) MURANO
 for Coffee machine (PAVONI) BART
 for Coffee machine (RANCILIO) EPOCA
 for Coffee machine (RENEKA) LC - VIVA - VIVAS XLPALLAS
 for Coffee machine (SAN MARCO) EUROPA95 - NS85



SAN MARCO

1120339 3-WAY MECHANICAL COMPONENT PARKER
 VE128IR - drain \varnothing 1/8" conical - max 10 bar
 RUBY seal - orifice \varnothing 1.3 mm
 fluid temperature -30°C+140°C
 for Coffee machine (BEZZERA) ELLISSE
 for Coffee machine (CONTI) CLUB - TWIN STAR2 XEOS2
 for Coffee machine (ESSIKA) SK2 - SSK2
 for Coffee machine (FAEMA) COMPACT - DUEA EXPRESS - E61 - E91 - E92
 for Coffee machine (FIORENZATO C.S.) MURANO
 for Coffee machine (PAVONI) BART
 for Coffee machine (RENEKA) LC - VIVA - VIVAS XLPALLAS
 for Coffee machine (VIBIEMME) CHIMAERA - CUBO DOMOBARSUPER - DOSAPLUS - EVOLUTION - KOMETA



SAN MARCO

1120102 3-WAY SOLENOID VALVE LUCIFER 115V 60Hz
 E131F4304 - drain \varnothing 1/8" conical - max 10 bar
 RUBY seal - orifice \varnothing 1.5 mm
 with coil 483510S5 9W 110/115/120V 50/60Hz
 fluid temperature -40°C+140°C



SAN MARCO 108063A

1120363 COIL LUCIFER 483510S5 9W 115V 50/60Hz
 width 32 mm - height 37.5 mm
 depth 43.5 mm



1120334 3-WAY MECHANICAL COMPONENT LUCIFER
 E131F4304G - drain \varnothing 1/8" conical - max 10 bar
 RUBY seal - orifice \varnothing 1.5 mm
 fluid temperature -30°C+140°C
 for Coffee machine (BEZZERA) ELLISSE
 for Coffee machine (CONTI) CLUB - TWIN STAR2 XEOS2
 for Coffee machine (ESSIKA) SK2 - SSK2
 for Coffee machine (FAEMA) COMPACT - DUEA EXPRESS - E61 - E91 - E92
 for Coffee machine (FIORENZATO C.S.) MURANO
 for Coffee machine (PAVONI) BART
 for Coffee machine (RANCILIO) EPOCA
 for Coffee machine (RENEKA) LC - VIVA - VIVAS XLPALLAS
 for Coffee machine (SAN MARCO) EUROPA95 - NS85



SAN MARCO



Suitable for:

Suitable for:

1120330 3-WAY SOLENOID VALVE LUCIFER 240V 50Hz
 E131F4304 - drain \varnothing 1/8" conical - max 10 bar
 RUBY seal - orifice \varnothing 2.5 mm
 with coil 483510S6 9W 220/240V 50/60Hz
 fluid temperature $-40^{\circ}\text{C}+140^{\circ}\text{C}$
 for Coffee machine (BRASILIA) CENTURY - PORTOFINO
 for Coffee machine (CONTI) CLUB - TWIN STAR2
 XEOS2
 for Coffee machine (ESSIKA) DUEA - ELITE
 EUROPA95 - EXPRESS - E61 - E91 - E92 - SK2
 SSK2
 for Coffee machine (FAEMA) COMPACT
 for Coffee machine (FIAMMA RST) ATLANTIC - MARINA
 MINIBAR - PRESTIGE
 for Coffee machine (FIORENZATO C.S.) MURANO
 for Coffee machine (PAVONI) BART



SAN MARCO 108063

1120334 3-WAY MECHANICAL COMPONENT LUCIFER
 E131F4304G - drain \varnothing 1/8" conical - max 10 bar
 RUBY seal - orifice \varnothing 1.5 mm
 fluid temperature $-30^{\circ}\text{C}+140^{\circ}\text{C}$
 for Coffee machine (BEZZERA) ELLISSE
 for Coffee machine (CONTI) CLUB - TWIN STAR2
 XEOS2
 for Coffee machine (ESSIKA) SK2 - SSK2
 for Coffee machine (FAEMA) COMPACT - DUEA
 EXPRESS - E61 - E91 - E92
 for Coffee machine (FIORENZATO C.S.) MURANO
 for Coffee machine (PAVONI) BART
 for Coffee machine (RANCILIO) EPOCA
 for Coffee machine (RENEKA) LC - VIVA - VIVAS
 XLPALLAS
 for Coffee machine (SAN MARCO) EUROPA95 - NS85



SAN MARCO

1120101 3-WAY SOLENOID VALVE PARKER 115V 50/60Hz
 VE1281R - drain \varnothing 1/8" conical - max 10 bar
 RUBY seal - orifice \varnothing 1.3 mm
 with coil ZB09 9W 110/120V 50/60Hz
 fluid temperature $-40^{\circ}\text{C}+140^{\circ}\text{C}$



SAN MARCO

1120332 COIL LUCIFER/PARKER 220/240V 9W 50Hz
 width 32 mm - height 38 mm
 depth 43 mm
 for Coffee machine (BEZZERA) ELLISSE
 for Coffee machine (BRASILIA) CENTURY - PORTOFINO
 for Coffee machine (CONTI) CLUB - TWIN STAR2
 XEOS2
 for Coffee machine (ESSIKA) SK2 - SSK2
 for Coffee machine (FAEMA) COMPACT - DUEA
 EXPRESS - E61 - E91
 for Coffee machine (FIORENZATO C.S.) MURANO
 for Coffee machine (PAVONI) BART
 for Coffee machine (RANCILIO) EPOCA
 for Coffee machine (RENEKA) LC - VIVA - VIVAS
 XLPALLAS
 for Coffee machine (SAN MARCO) EUROPA95 - NS85



SAN MARCO

1120336 COIL PARKER ZB09 9W 110/120V 50/60Hz
 width 34 mm - height 33 mm
 depth 43 mm





Suitable for:

1120339 3-WAY MECHANICAL COMPONENT PARKER

VE128IR - drain \varnothing 1/8" conical - max 10 bar
 RUBY seal - orifice \varnothing 1.3 mm
 fluid temperature -30°C+140°C
 for Coffee machine (BEZZERA) ELLISSE
 for Coffee machine (CONTI) CLUB - TWIN STAR2 XEOS2
 for Coffee machine (ESSIKA) SK2 - SSK2
 for Coffee machine (FAEMA) COMPACT - DUEA EXPRESS - E61 - E91 - E92
 for Coffee machine (FIORENZATO C.S.) MURANO
 for Coffee machine (PAVONI) BART
 for Coffee machine (RENEKA) LC - VIVA - VIVAS XLPALLAS
 for Coffee machine (VIBIEMME) CHIMAERA - CUBO DOMOBARSUPER - DOSAPLUS - EVOLUTION - KOMETA



SAN MARCO



Suitable for:

SAN MARCO

1120335 3-WAY SOLENOID VALVE PARKER 230V 50/60Hz

VE128IR - drain \varnothing 1/8" conical - max 10 bar
 RUBY seal - orifice \varnothing 1.3 mm
 with coil ZB09 9W 220/230V 50/60Hz
 fluid temperature -30°C+140°C
 for Coffee machine (BEZZERA) ELLISSE
 for Coffee machine (BRASILIA) CENTURY - PORTOFINO
 for Coffee machine (CARIMALI) CENTO50
 for Coffee machine (CONTI) CLUB - TWIN STAR2 XEOS2
 for Coffee machine (ESSIKA) SK2 - SSK2
 for Coffee machine (FAEMA) COMPACT - DUEA EXPRESS - E61 - E91 - E92
 for Coffee machine (FIORENZATO C.S.) MURANO
 for Coffee machine (RENEKA) LC - VIVA - VIVAS XLPALLAS



SAN MARCO

3120032 COIL PARKER ZB09 9W 220/240V 50/60Hz

width 34 mm - height 33 mm
 depth 43 mm
 for Coffee machine (ASTORIA) CMA
 for Coffee machine (BEZZERA) ELLISSE
 for Coffee machine (BRASILIA) CENTURY - PORTOFINO
 for Coffee machine (CONTI) CLUB - TWIN STAR2 XEOS2
 for Coffee machine (ESSIKA) SK2 - SSK2
 for Coffee machine (FAEMA) COMPACT - DUEA EXPRESS - E61 - E91
 for Coffee machine (FIORENZATO C.S.) MURANO
 for Coffee machine (PAVONI) BART
 for Coffee machine (RENEKA) LC - VIVA - VIVAS XLPALLAS
 for Coffee machine (VIBIEMME)



SAN MARCO



Suitable for:

1120339 3-WAY MECHANICAL COMPONENT PARKER

VE1281R - drain \varnothing 1/8" conical - max 10 bar
RUBY seal - orifice \varnothing 1.3 mm
fluid temperature -30°C+140°C
for Coffee machine (BEZZERA) ELLISSE
for Coffee machine (CONTI) CLUB - TWIN STAR2
XEOS2
for Coffee machine (ESSIKA) SK2 - SSK2
for Coffee machine (FAEMA) COMPACT - DUEA
EXPRESS - E61 - E91 - E92
for Coffee machine (FIORENZATO C.S.) MURANO
for Coffee machine (PAVONI) BART
for Coffee machine (RENEKA) LC - VIVA - VIVAS
XLPALLAS
for Coffee machine (VIBIEMME) CHIMAERA - CUBO
DOMOBARSUPER - DOSAPLUS - EVOLUTION - KOMETA



SAN MARCO



Suitable for:

SAN MARCO

1120350 3-WAY SOLENOID VALVE PARKER 24V 50/60Hz

VE1281R - conical outlet \varnothing 1/8" - max 10 bar
RUBY seal - orifice \varnothing 1.3 mm
with coil ZB09 9W 24VAC 50/60Hz
fluid temperature -30°C+140°C



SAN MARCO 108782

3120033 COIL PARKER ZB09 9W 24V 50/60Hz

width 34 mm - height 33 mm
depth 43.5 mm
for Coffee machine (FAEMA) COMPACT - DUE - DUEA
EXPRESS - E61 - E91 - E92



SAN MARCO

1120339 3-WAY MECHANICAL COMPONENT PARKER

VE1281R - drain \varnothing 1/8" conical - max 10 bar
RUBY seal - orifice \varnothing 1.3 mm
fluid temperature -30°C+140°C
for Coffee machine (BEZZERA) ELLISSE
for Coffee machine (CONTI) CLUB - TWIN STAR2
XEOS2
for Coffee machine (ESSIKA) SK2 - SSK2
for Coffee machine (FAEMA) COMPACT - DUEA
EXPRESS - E61 - E91 - E92
for Coffee machine (FIORENZATO C.S.) MURANO
for Coffee machine (PAVONI) BART
for Coffee machine (RENEKA) LC - VIVA - VIVAS
XLPALLAS
for Coffee machine (VIBIEMME) CHIMAERA - CUBO
DOMOBARSUPER - DOSAPLUS - EVOLUTION - KOMETA



SAN MARCO



Suitable for:

SAN MARCO



Suitable for:

Spouts for coffee

1022502 DOUBLE SPOUT \varnothing 3/8"

for Coffee machine (ASTORIA CMA) DIVINA
 for Coffee machine (AZKOYEN) AZ04 - VIENNA
 for Coffee machine (BEZZERA) ELLISSE
 for Coffee machine (BRASILIA) CENTURY - GRADISCA PORTOFINO
 for Coffee machine (CIMBALI) M27 - M30
 for Coffee machine (CONTI)
 for Coffee machine (ESSIKA)
 for Coffee machine (FAEMA) COMPACT - DUE - EXPRESS E61 - E64 - E66 - E91 - P4 - P6
 for Coffee machine (FRACINO) BAMBINO - CHERUB CONTEMPO - HEAVENLY - RETRO - ROMANO
 for Coffee machine (GAGGIA) D90 - E90
 for Coffee machine (ISOMAC) MILLENNIUM - MONDIALE TEA - VENUS - ZAFFIRO



SAN MARCO 205495

1022501 SINGLE SPOUT \varnothing 3/8"

for Coffee machine (ASTORIA CMA) DIVINA
 for Coffee machine (AZKOYEN) AZ04 - VIENNA
 for Coffee machine (BEZZERA) ELLISSE
 for Coffee machine (BRASILIA) CENTURY - GRADISCA PORTOFINO
 for Coffee machine (CIMBALI) M27 - M30
 for Coffee machine (CONTI)
 since 1/11/03
 TWIN STAR2
 for Coffee machine (FAEMA) COMPACT - DUE - DUEA EXPRESS - E61 - E64 - E66 - E91 - P4 - P6
 for Coffee machine (GAGGIA) D90 - E90
 for Coffee machine (ISOMAC) MILLENNIUM - MONDIALE TEA - ZAFFIRO
 for Coffee machine (NUOVA SIMONELLI) MACCUP



SAN MARCO 205494

1022503 STRAIGHT SINGLE SPOUT \varnothing 3/8"

for Coffee machine (BEZZERA) ELLISSE
 for Coffee machine (BRASILIA) CENTURY - GRADISCA PORTOFINO
 for Coffee machine (CIMBALI) M27 - M30
 for Coffee machine (CONTI) CLUB - TWIN STAR2 XEOS2
 for Coffee machine (ESSIKA) SK2 - SSK2
 for Coffee machine (FAEMA) COMPACT - DUE - EXPRESS E61 - E64 - E66 - E91 - P4 - P6
 for Coffee machine (GAGGIA) D90 - E90
 for Coffee machine (NUOVA SIMONELLI) MACCUP
 for Coffee machine (RANCILIO) EPOCA
 for Coffee machine (SAN MARCO) EUROPA95 - NS85
 for Coffee machine (VFA EXPRES) ELITE - MAGESTIC SPLENDOR



SAN MARCO

5031337 1-CUP STRAIGHT SHORT SPOUT \varnothing 3/8"



SAN MARCO

Springs

1250436 CONTROL ROD SPRING \varnothing 14x12 mm

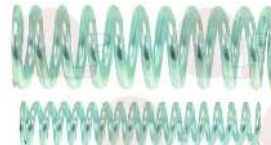
for Coffee machine (SAN MARCO) FCS



SAN MARCO 200003

1250113 LEVER GROUP SPRING PAIR

external \varnothing 49/35 mm - height 160/142 mm
 for Coffee machine (FIORENZATO C.S.)
 PIAZZA SAN MARCO
 for Coffee machine (SAN MARCO) LEVA



SAN MARCO 200036

SAN MARCO 200036+200037

SAN MARCO 200037



Suitable for:

1250041 SPRING \varnothing 10x28 mm
for Coffee machine (SAN MARCO) LEVA - NEW105 - 100
105 - 85 - 95



SAN MARCO 200049

Suitable for:

1250541 SPRING \varnothing 12x15 mm
for Coffee machine (SAN MARCO) LEVA - NEW105 - 100
105 - 85 - 95



SAN MARCO 200051

1250234 SPRING \varnothing 14.5x20 mm INLET TAP
for Coffee machine (SAN MARCO) LEVA - 105 - 85



SAN MARCO 200150

1250542 SPRING \varnothing 15x20 mm
for Coffee machine (SAN MARCO) LEVA - 85 - 95



SAN MARCO 200034

1250437 TAP SPRING \varnothing 16x21 mm
for Coffee machine (SAN MARCO) LEVA - NEW105 - 100
105 - 85 - 95



SAN MARCO 200026

1250543 VALVE SPRING \varnothing 16x20 mm
for Coffee machine (SAN MARCO) LEVA - NEW105 - 100
105 - 85 - 95



SAN MARCO 200033

Steam taps and spares for coffee mach.

1186143 BRASS WASHER



SAN MARCO 203035

1449118 COMPLETE STEAM TAP
for Coffee machine (SAN MARCO) LEVA - 85



SAN MARCO 400400

1348755 COMPLETE WATER STEAM TAP
connection \varnothing 1/4"



SAN MARCO

1186151 CUP WARMING STUFFING GLAND TAP
for Coffee machine (SAN MARCO) LEVA - 85 - 95



SAN MARCO 205114



Suitable for:

1186463 GASKET HOLDER
for Coffee machine (SAN MARCO) LEVA - NEW 105
100 - 105 - 85 - 95



SAN MARCO 205009

Suitable for:

1528050 NICKEL-PLATED NUT
for Coffee machine (SAN MARCO) LEVA - 100 - 85
95



SAN MARCO 205008

1186464 SHAPED STAINLESS STEEL WASHER
for Coffee machine (SAN MARCO) LEVA - 100 - 85
95



SAN MARCO 205583

1065501 ST.STEEL SHIELD FOR TAP
for Coffee machine (SAN MARCO) LEVA - 100 - 85
95



SAN MARCO 205585

1348760 STEAM TAP
for Coffee machine (SAN MARCO) 105



SAN MARCO 400300

1348751 STEAM TAP ASSEMBLY
for Coffee machine (SAN MARCO) LEVA - 85 - 95



SAN MARCO 400086

1349451 STEAM TUBE FITTING \varnothing 3/8"
for Coffee machine (SAN MARCO) LEVA - NEW 105
100 - 105 - 85 - 95



SAN MARCO 205523

SAN MARCO 206275

1348750 TAP BODY
for Coffee machine (SAN MARCO) LEVA - 100 - 85
95



SAN MARCO 502050

1349486 TAP COUPLING
for Coffee machine (SAN MARCO) LEVA - NEW 105
100 - 105 - 85 - 95



SAN MARCO 205310

1523522 VALVE BODY
for Coffee machine (SAN MARCO) EUROPA95 - LEVA
NEW 105 - NS85 - 100 - 105 - 85 - 95



SAN MARCO 205003



Suitable for:

1186289 WASHER

for Coffee machine (SAN MARCO) EUROPA95 - LEVA
NEW 105 - NS85 - 100 - 105 - 85 - 85-SPRINT
95 - 95-SPRINT



SAN MARCO 204059

SAN MARCO 205525

Suitable for:

1186783 WASHER FOR ARTICULATION ø 14 mm

for Coffee machine (SAN MARCO) EUROPA95 - LEVA
NEW 105 - NS85 - 100 - 105 - 85 - 95



SAN MARCO 205534

1348759 WATER TAP

for Coffee machine (SAN MARCO) 105



SAN MARCO 400301

Steam-water pipes coffee machines

1449401 COMPLETE WATER PIPE

length 105 mm
for Coffee machine (SAN MARCO) 100 - 105 - 85 - 95



SAN MARCO 507132

1449114 ST. STEEL COMPL. STEAM PIPE ø 10 mm

pipe length 210 mm
for Coffee machine (SAN MARCO) 95



SAN MARCO 206224

1449110 STAINLESS STEEL STEAM PIPE COMPL. ø 10 m

pipe development 250 mm
for Coffee machine (SAN MARCO) 100



SAN MARCO 206414

1449400 STEAM PIPE COMPLETE

for Coffee machine (SAN MARCO) 105



SAN MARCO 206903

1449851 STEAM PIPE COMPLETE

for Coffee machine (SAN MARCO) 85 - 95



SAN MARCO

1449852 STEAM PIPE COMPLETE

for Coffee machine (SAN MARCO) LEVA - 85



SAN MARCO 206320



Suitable for:

SAN MARCO



Suitable for:

Switches

3319296 BLACK BIPOLAR SWITCH 16A 250V

with red led indicator light
 max temperature 120°C
 mounting hole 22x30 mm
 for Coffee machine (ASTORIA CMA) GLORIA
 GLORIA R12 - PLUS4YOU - PRIMA - TANYA
 for Coffee machine (FIORENZATO C.S.) BRICOLETTA
 DUCALE - PIAZZA SAN MARCO
 for Coffee machine (GRIMAC) G11
 for Coffee machine (MCE) START
 for Coffee machine (ORCHESTRALE) ETNICA - PHONICA
 for Coffee machine (SAN MARCO) 85
 for Coffee machine (WEGA) AIRY - ATLAS - ATLAS 10
 COMBI NOVA - FORMULA MILANO - JUNIOR - NOVA
 NOVECENTO - ORION ECO - PEGASO - SPHERA
 STARLET - START - VELA



SAN MARCO 108539

1319118 BOX FOR PUSH-BUTTON PANEL

for Coffee machine (SAN MARCO) 95



SAN MARCO 106116

1319572 BOX FOR PUSH-BUTTON PANEL

for Coffee machine (SAN MARCO) 95



SAN MARCO 106109

1319566 COFFEE DELIVERY BUTTONS KIT

for Coffee machine (SAN MARCO) 95



SAN MARCO 106133

3319029 GREEN BIPOLAR SWITCH 16A 250V

16(4)A 250V - with indicator light
 max temperature 120°C
 mounting hole 22x30 mm
 for Coffee machine (SAN MARCO) 95



SAN MARCO 108108V

1319119 PUSH BUTTON PANEL BOX GASKET



SAN MARCO 2255.005

1319257 PUSH-BUTTON PANEL BOARD 1 BUTTON

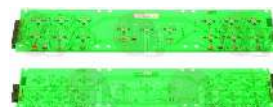
dimensions 117x90 mm
 for Coffee machine (SAN MARCO) 105



SAN MARCO 108763

1319576 PUSH-BUTTON PANEL BOARD 15 BUTTONS

for Coffee machine (SAN MARCO) 105



SAN MARCO 108760

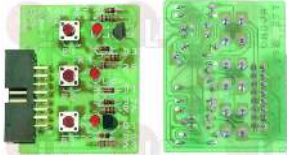


SAN MARCO



Suitable for:

1319135 PUSH-BUTTON PANEL BOARD 3 BUTTONS
for Coffee machine (SAN MARCO) 95



SAN MARCO 108408

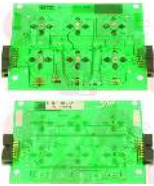
Suitable for:

1319138 PUSH-BUTTON PANEL BOARD 4 BUTTONS
for Coffee machine (SAN MARCO) 95



SAN MARCO 108407

1319575 PUSH-BUTTON PANEL BOARD 6 BUTTONS
for Coffee machine (SAN MARCO) 105



SAN MARCO 108762

1319255 PUSH-BUTTON PANEL DIAPHRAGM 5 BUTTONS
for coffee machine 1-2-3-4 GROUPS
for Coffee machine (SAN MARCO) 85E - 85S



SAN MARCO 108540

1319558 PUSH-BUTTON PANEL MEMBRANE - 5 BUTTONS
for Coffee machine (SAN MARCO) 85



SAN MARCO 108296

1319258 PUSH-BUTTON PANEL MEMBRANE 1 BUTTON
for Coffee machine (SAN MARCO) 105



SAN MARCO 106487

1319265 PUSH-BUTTON PANEL MEMBRANE 3 BUTTONS
for Coffee machine (SAN MARCO) 100E - 100S



SAN MARCO 106725

1319574 PUSH-BUTTON PANEL MEMBRANE 3 BUTTONS
for Coffee machine (SAN MARCO) 105



SAN MARCO 106486

1319573 PUSH-BUTTON PANEL MEMBRANE 6 BUTTONS
for Coffee machine (SAN MARCO) 105



SAN MARCO 106485

1319270 PUSH-BUTTON PANEL MEMBRANE 7 BUTTONS
for Coffee machine (SAN MARCO) 100E



SAN MARCO 106724



Suitable for:

1319553 PUSH-BUTTON PANEL 3 BUTTONS
for Coffee machine (SAN MARCO) 95



SAN MARCO 108451

Suitable for:

1319556 PUSH-BUTTON PANEL 5 BUTTONS
for Coffee machine (SAN MARCO) 85



SAN MARCO 608066

1319557 PUSH-BUTTON PANEL 5 BUTTONS
for Coffee machine (SAN MARCO) 95



SAN MARCO 608067

1319254 PUSH-BUTTON PANEL 7 BUTTONS
for Coffee machine (SAN MARCO) 100E



SAN MARCO 108682

1319555 PUSH-BUTTON PANEL 7 BUTTONS
for Coffee machine (SAN MARCO) 95



SAN MARCO 108406

1319266 PUSH-BUTTON SUPPORT
for Coffee machine (SAN MARCO) NEW 105 - 100



SAN MARCO 106729

1319269 SWITCH BUTTON
for Coffee machine (SAN MARCO) 100S



SAN MARCO 106705

3319501 SWITCH PROTECTION CAP
external dimensions 29x36 mm
for switches with mounting hole 22x30 mm



SAN MARCO 106070

1319567 WATER DELIVERY BUTTONS KIT
for Coffee machine (SAN MARCO) 95



SAN MARCO 106130

1319267 WATER PUSH-BUTTON PANEL SUPPORT
for Coffee machine (SAN MARCO) 100E - 100S



SAN MARCO 106704



Suitable for:

1319268 WHITE BIPOLAR SWITCH 16A 250V
with indicator lamp
mounting hole 13x20 mm
for Coffee machine (SAN MARCO) 100E - 100S



SAN MARCO 108675

Suitable for:

3452004 PROTECTION SWITCH COVER
external dimensions 20x25 mm
for switches with mounting hole 13x20 mm



Tampers for coffee

1385002 NYLON COFFEE TAMPER \varnothing 50/57 mm



SAN MARCO

1385000 NYLON TAMPER \varnothing 50/52 mm



SAN MARCO 106001

Thermocouples and accessories

3440053 THERMOCOUPLE SIT M8x1 60 cm THREAD M8x1



SAN MARCO 202148

3440853 THERMOCOUPLE SIT M8x1 60 cm - 10 PCS



SAN MARCO 202148

Thermostats

1444509 THREE-PHASE THERMOSTAT 169°C
with manual reset
covered capillary 900 mm
bulb \varnothing 4x128 mm
for Coffee machine (ASTORIA CMA) PLUS4YOU
for Coffee machine (CARIMALI) CENTO50 - ETABETAV2
E9 ESPRESSO - KIKKO - KIKKO2 - TEMA STYLE
TEMA STYLE 2
for Coffee machine (CASADIO) DODICI
for Coffee machine (CIMBALI) M20 - M21 - M27 - M28
M29 - M30 - M31 - M32 - M39 - M39GT
for Coffee machine (ELEKTRA) CLASSIC - MODERN
SIXTIES
for Coffee machine (FAEMA) DUE SMART - ELITE
EMBLEMA - ENOVA - E61 - E98 COMPACT - SMART
STYLEMA



SAN MARCO 108463



Suitable for:

SAN MARCO



Suitable for:

Water filling taps

1186147 BLIND WASHER
for water inlet tap



SAN MARCO 205262

1186146 GASKET HOLDER FOR TAP
for water inlet tap



SAN MARCO 205152

1348753 NON-RETURN VALVE
for water inlet tap
for Coffee machine (SAN MARCO) EUROPA95 - NS85



SAN MARCO 400029

1523523 NON-RETURN VALVE BODY
for water inlet tap



SAN MARCO 502008

1225008 TAP LEVER
for water inlet tap
for Coffee machine (SAN MARCO) NS85



SAN MARCO 502063

1225009 TAP LEVER
for water inlet tap



SAN MARCO 502067

1225010 TAP LEVER
for water inlet tap



SAN MARCO

1348752 WATER INLET TAP
for Coffee machine (SAN MARCO) EUROPA95 - NS85



SAN MARCO 400128

1348754 WATER INLET TAP



SAN MARCO 400149



Suitable for:

SAN MARCO



Suitable for:

Water softeners and accessories

3010018 GASKET FOR WATER SOFTENER LID
OR \varnothing 74x6.5 mm



SAN MARCO 800061

3010021 INLET FILTER
for DVA models



SAN MARCO 800014

3010019 LID HANDLE
for DVA models



SAN MARCO 800063

3010002 MANUAL WATER SOFTENER 12 L \varnothing 3/8"
for water treatment for TECHNICAL purposes
STAINLESS STEEL cylinder capacity 12 L
connection 3/8"
dimensions: height 500 mm - \varnothing 185 mm
resin content 9 L
regeneration salt(NaCl-table salt)1.5 Kg



SAN MARCO 202038

3010023 BLACK BASE FOR GS WATER SOFTENER



3010018 GASKET FOR WATER SOFTENER LID
OR \varnothing 74x6.5 mm



SAN MARCO 800061

3010021 INLET FILTER
for DVA models



SAN MARCO 800014

3010019 LID HANDLE
for DVA models



SAN MARCO 800063

3010022 OUTLET FILTER
for DVA models



SAN MARCO 800013



Suitable for:

3010014 PIPE FITTING \varnothing 3/8" F x 3/4" M
for DVA models



SAN MARCO



Suitable for:

3010016 PLASTIC JET M6
for DVA models



3010015 PLASTIC TAP HANDLE
for DVA models



SAN MARCO 800041

3010012 TAP \varnothing 3/4"
for models DVA
for DISHWASHERS



SAN MARCO 800044

3010011 WATER INLET TAP \varnothing 3/8"
for DVA models



3010080 WATER SOFTENER LID ASSEMBLY
for DVA models



SAN MARCO 800012

3010001 MANUAL WATER SOFTENER 8 L \varnothing 3/8"
for water treatment for TECHNICAL purposes
STAINLESS STEEL cylinder capacity 8 L
connection 3/8"
dimensions: height 400 mm - \varnothing 185 mm
resin content 5.8 L
regeneration salt(NaCl-table salt)1 Kg



3010023 BLACK BASE FOR GS WATER SOFTENER



SAN MARCO 202033

3010018 GASKET FOR WATER SOFTENER LID
OR \varnothing 74x6.5 mm



3010021 INLET FILTER
for DVA models



SAN MARCO 800061

SAN MARCO 800014



Suitable for:

3010019 LID HANDLE
for DVA models



SAN MARCO 800063

3010014 PIPE FITTING \varnothing 3/8" F x 3/4" M
for DVA models



3010015 PLASTICTAP HANDLE
for DVA models



SAN MARCO 800044

3010011 WATER INLET TAP \varnothing 3/8"
for DVA models



SAN MARCO 800012

3010022 OUTLET FILTER
for DVA models



SAN MARCO 800013

SAN MARCO



Suitable for:

3010022 OUTLET FILTER
for DVA models



SAN MARCO 800013

3010016 PLASTIC JET M6
for DVA models



SAN MARCO 800041

3010012 TAP \varnothing 3/4"
for models DVA
for DISHWASHERS



3010080 WATER SOFTENER LID ASSEMBLY
for DVA models



3010016 PLASTIC JET M6
for DVA models



SAN MARCO 800041



SAN MARCO



Suitable for:

3010015 PLASTIC TAP HANDLE
for DVA models



SAN MARCO 800044

Suitable for:

3010011 WATER INLET TAP \varnothing 3/8"
for DVA models



SAN MARCO 800012